

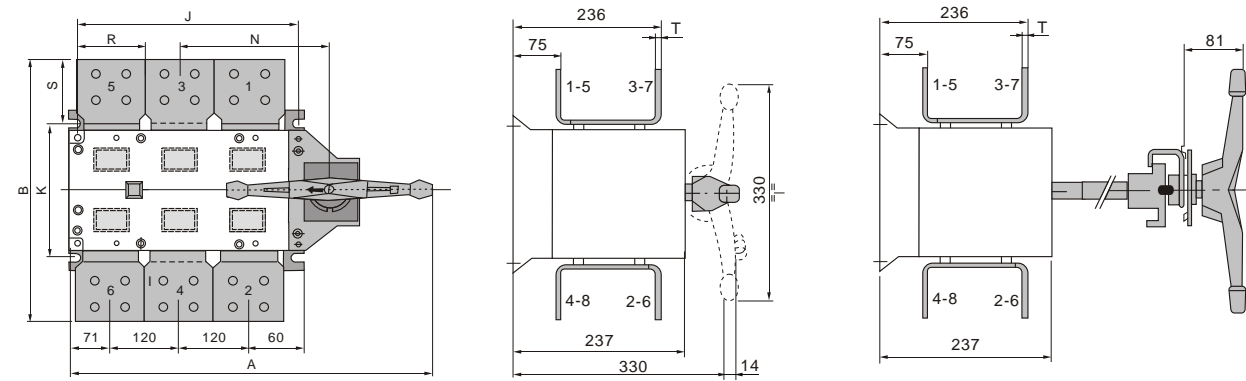
# YGLC/CK-125~4000A

Series Side Operation Load-isolation Switch

# YGLZ1

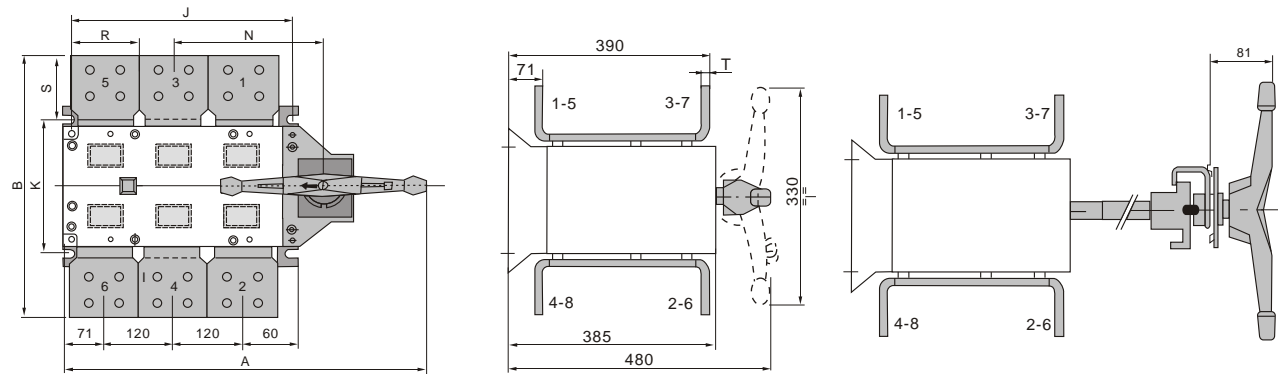
Series Transfer Load-Isolation Switch

## YGLC/CK-1000~4000A Outline and installation dimensions



Direct operation on front face YGLC/CK-3150

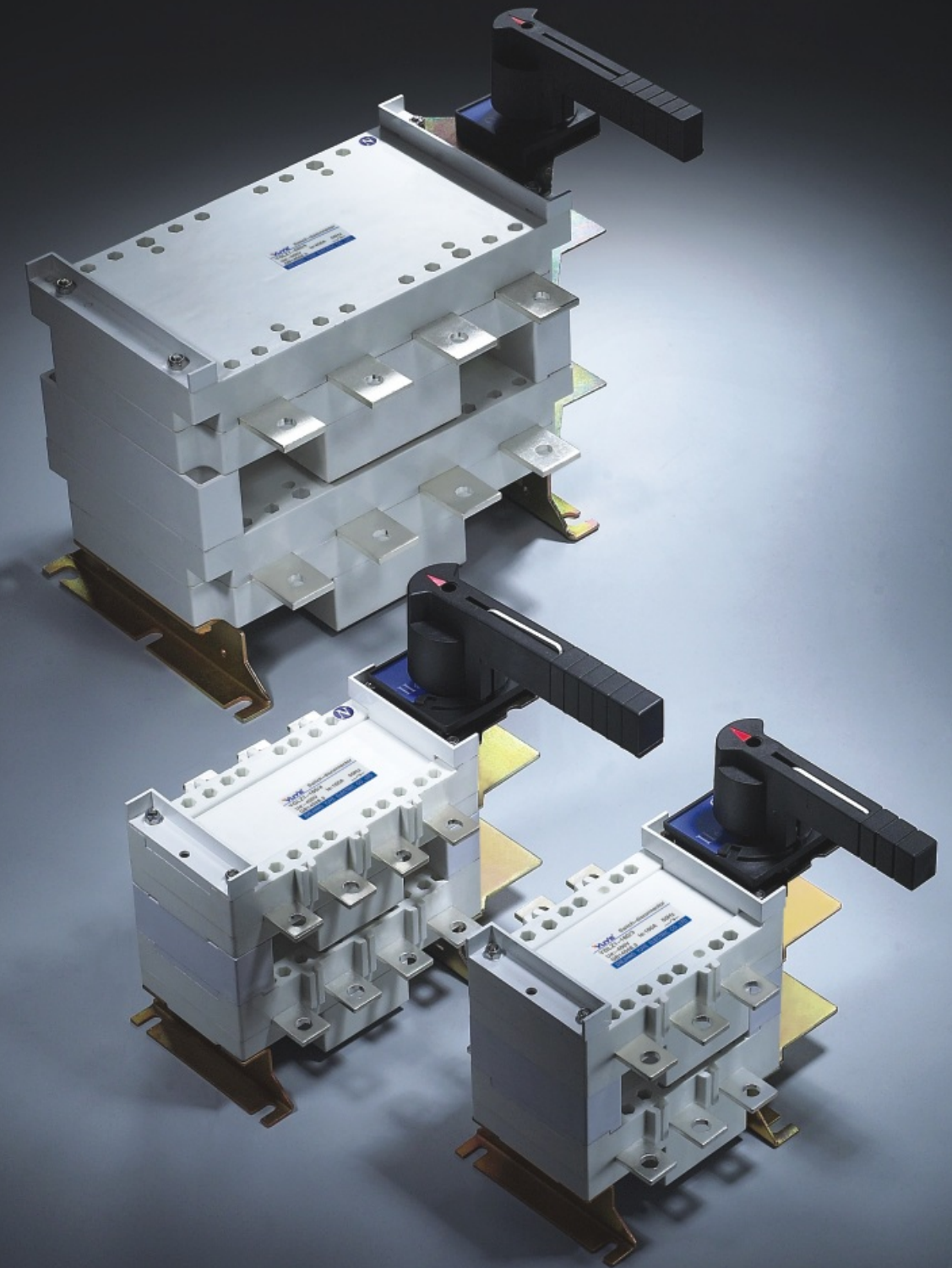
Operation outside YGLC/CK-3150A



Direct operation on front face YGLC/CK-4000

Operation outside YGLC/CK-4000A

Specification	External Dimension and Installation Dimension															
	A	B	C	E	L	J	K	M	N	P	Q	R	S	T	W	Z
YGLC/CK-1000A/3	583	356	242	150	11	352	220	8.5	232	120	311	60	55	8	280	224
YGLC/CK-1000A/4	698	356	242	150	11	467	220	8.5	286	120	311	60	55	8	280	224
YGLC/CK-1250A/3	583	356	242	150	11	352	220	8.5	232	120	311	80	68	8	280	224
YGLC/CK-1250A/4	698	356	242	150	11	467	220	8.5	286	120	311	80	68	8	280	224
YGLC/CK-1600A/3	583	356	242	150	11	352	220	8.5	232	120	311	80	68	10	280	244
YGLC/CK-1600A/4	698	356	242	150	11	467	220	8.5	286	120	311	80	68	10	280	224
YGLC/CK-2000A/3	583	440	330	237	11	352	220	8.5	232	120	311	80	119	10	280	224
YGLC/CK-2000A/4	698	440	330	237	11	467	220	8.5	286	120	311	80	119	10	280	224
YGLC/CK-2500A/3	583	450	330	237	11	352	220	8.5	232	120	311	80	119	15	280	224
YGLC/CK-2500A/4	698	450	330	237	11	467	220	8.5	286	120	311	80	119	15	280	224
YGLC/CK-3150A/3	583	460	330	237	11	352	220	8.5	232	120	311	80	145	20	280	244
YGLC/CK-3150A/4	698	460	330	237	11	467	220	8.5	286	120	311	80	145	20	280	224
YGLC/CK-4000A/3	583	500	480	385	11	352	220	8.5	232	120	311	120	150	15	280	224
YGLC/CK-4000A/4	698	500	480	385	11	467	220	8.5	286	120	311	120	150	15	280	224



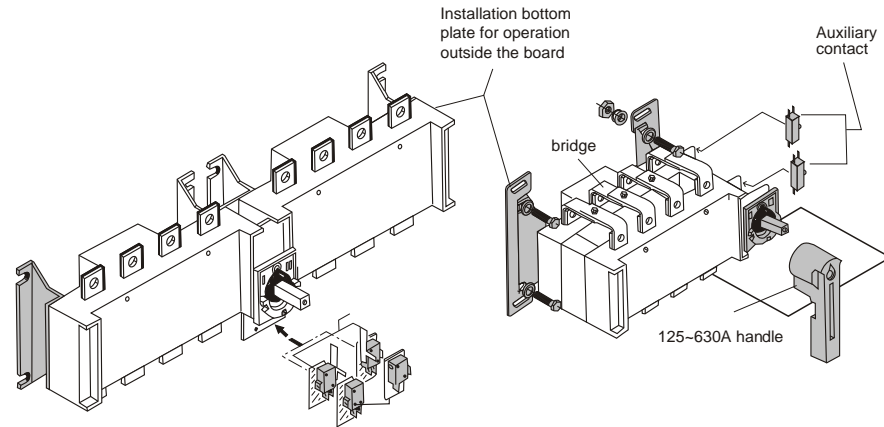
# YGLZ1-125~4000A

Series Transfer Load-isolation Switch



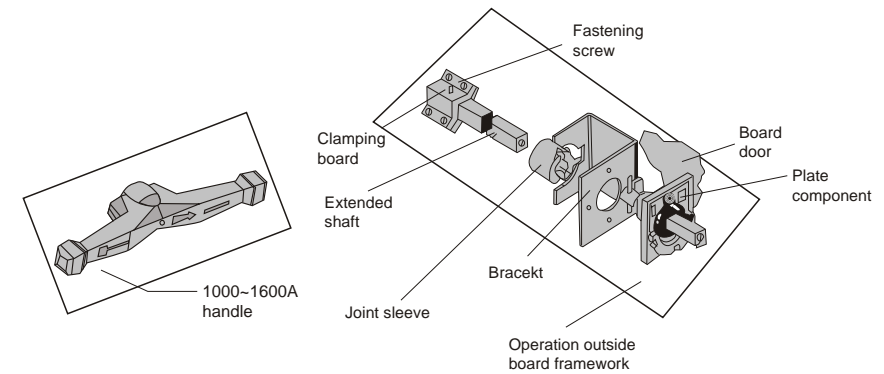
## General

- YGLZ1 -125~4000A. The load isolation switch is suitable for the changeover of two sets of low voltage electric circuit or the changeover of 2 sets of on-load devices or safety insulation.
- Mode of operation:  
Direct operation: handle is installed on the switch.  
Operation outside the board: handle is installed outside the door of power distributing board.
- Products with observation windows can be provided according to the demand to observe directly the on and off state of contact.
- The products have three poles, four poles, and (three poles+on and off neural pole).
- Extended shaft is used for the operation outside the board.
- Two sets of auxiliary contacts can be assembled according to the demand.
- Mechanical property and electric property correspond to the mechanical property and electric property of YGL-125~4000A.
- A bridge can provided to connect the inlet or outlet terminal of the switch.  
Note: The bridge connection is chosen, an explanation is needed to indicate the inlet or outlet is connected with it.



YGLZ1-125~1600A

YGLZ1-125~4000A

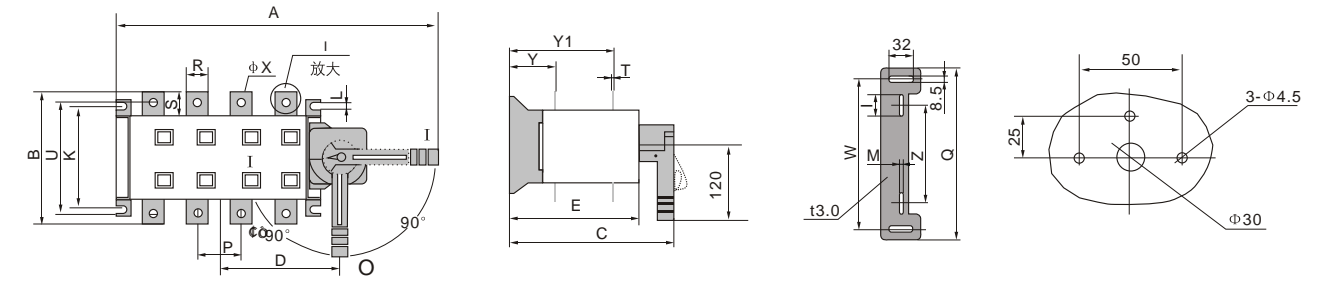


# YGLZ1-125~4000A

Series Transfer Load-isolation Switch

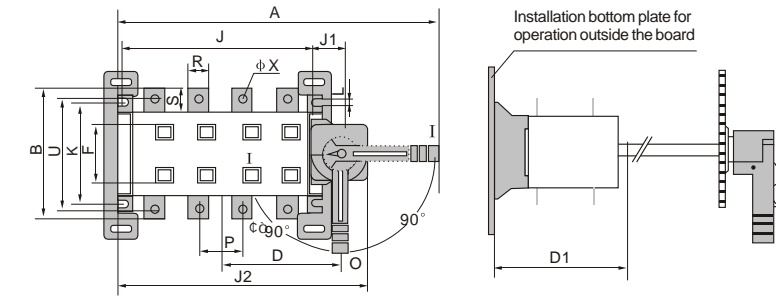


## YGLZ1-125~630A Outline and installation dimensions



YGLZ1-125~1600A Direct operation

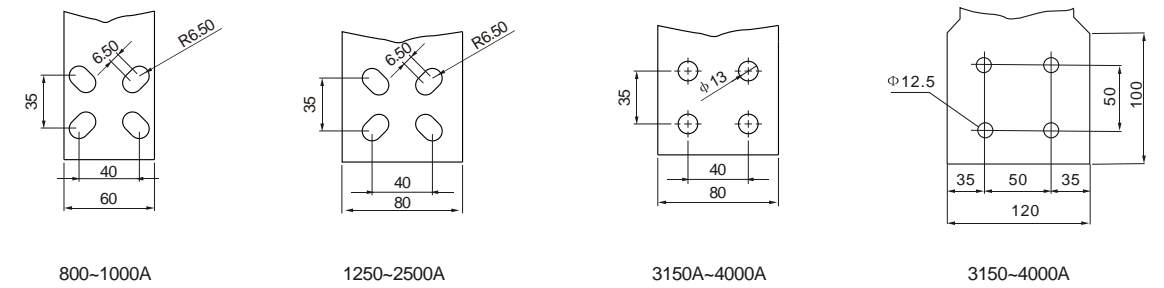
Installation size of handle seat outside board



YGLZ1K-125~1600A Operation outside board

Specification	Dimension of Bottom Board				
	I	M	Z	W	Q
YGLZ1-125A	55	6.5	95	216	244
YGLZ1-160A	55	6.5	95	216	244
YGLZ1-200A	55	6.5	116	216	244
YGLZ1-250A	55	6.5	116	216	244
YGLZ1-315-400A	60	8.5	180	280	311
YGLZ1-500-630A	60	8.5	180	280	311
YGLZ1-1000-1600A	60	8.5	180	280	311

## Connecting terminal

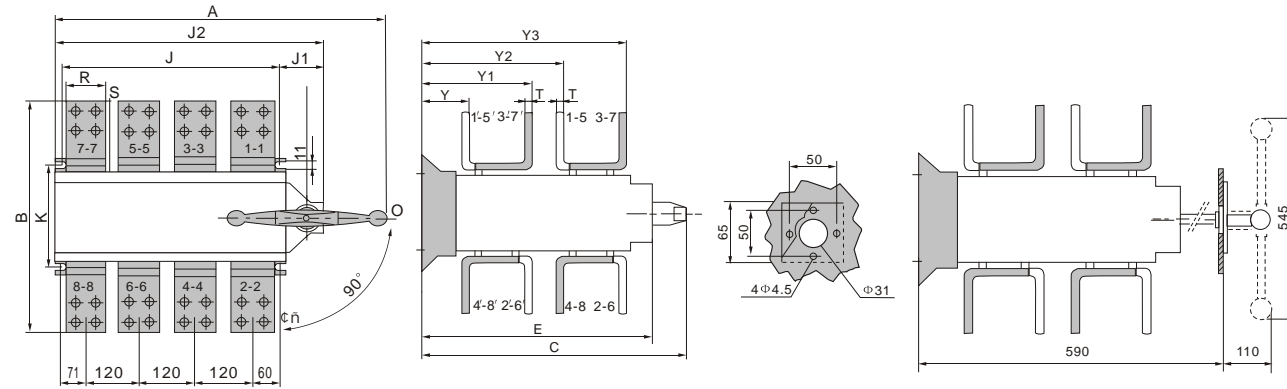


Specification	External Dimension and Installation Dimension																			
	A	B	C	D	D1	E	J	J1	J2	K	L	P	R	S	T	U	ΦX	Y	Y1	F
YGLZ1-80A-100A/4	277	106	166	98	143	106	115	40	195	84	7	30	14	18	2.5	91	6	39	90.5	
YGLZ1-125A-160A/3	274	135	215	89	190	154	120	30	195	95	7	36	20	25	3	115	10	55	125	49
YGLZ1-125A-160A/4	304	135	215	104	190	154	150	30	225	95	7	36	20	25	3	115	10	55	125	49
YGLZ1-200A-250A/3	347	165	250	110	215	180	160	30	235	115	9	50	25	30	3.5	134	10.5	65	146	76
YGLZ1-200A-250A/4	396	165	250	135	218	180	210	30	285	115	9	50	25	30	3.5	134	10.5	65	146	76
YGLZ1-315A-400A/3	432	234	325	150	278	241	211	44.5	298	180	10	65	32	38	5	205	10.5	85	197.5	94
YGLZ1-315A-400A/4	492	234	325	180	278	241	270	44.5	358	180	10	65	32	38	5	205	10.5	85	197.5	94
YGLZ1-500A-630A/3	432	250	325	150	278	241	211	44.5	298	180	10	65	40	45	6	215	12.5	85	198	94
YGLZ1-500A-630A/4	492	250	325	180	278	241	270	44.5	358	180	10	65	40	45	6	215	12.5	85	198	94

# YGLZ1-125~4000A

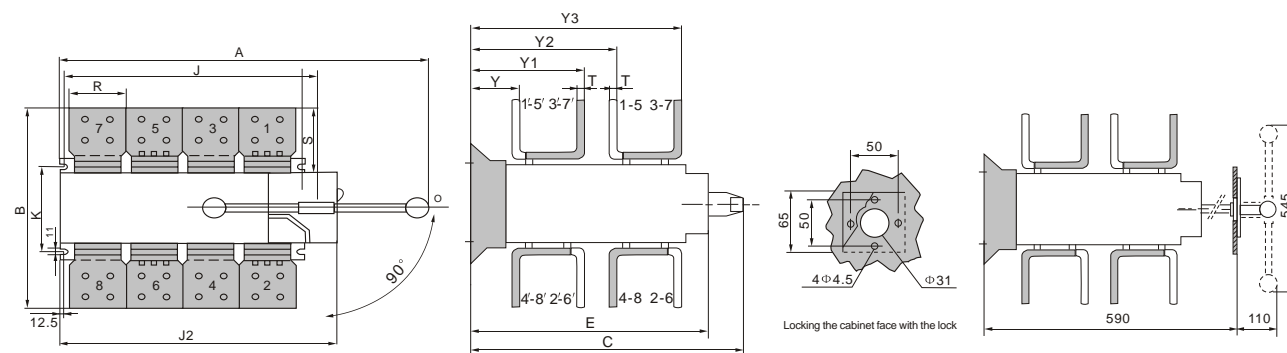
Series Transfer Load-isolation Switch

## YGLZ1-1000~3150A Outline and installation dimensions



Direct operation on front face YGLZ1-2000~2500A

Operation outside YGLZ1-2000~2500A



Direct operation on front face YGLZ1-3150

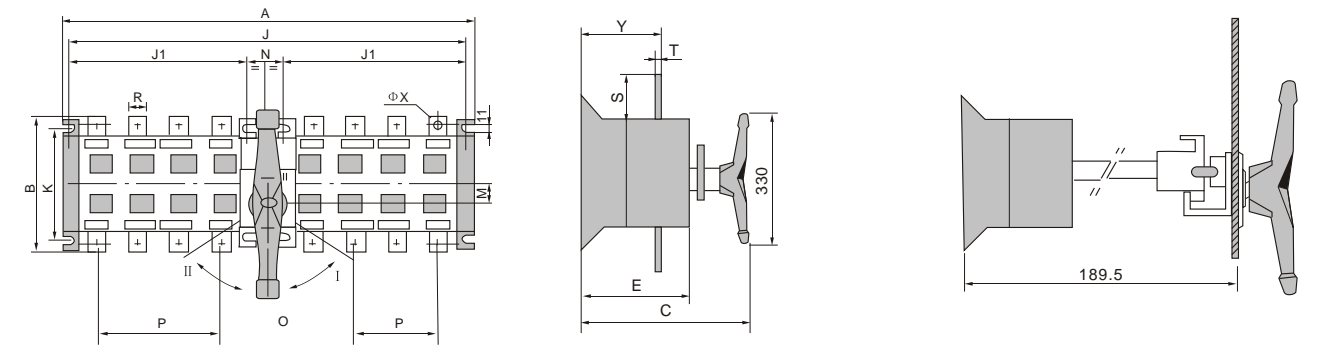
Operation outside YGLZ1-3150A

Specification	External Dimension and Installation Dimension																
	A	B	C	E	J	J1	J2	K	P	R	S	T	ΦX	Y	Y1	Y2	Y3
YGLZ1-1000A/3	583	328	390	296	354	53	450	220	120	64	8	12.5	110	256			
YGLZ1-1000A/4	698	328	390	296	440	53	565	220	120	64	8	12.5	110	256			
YGLZ1-1250A/3	583	336	390	296	354	53	450	220	120	80	68	8	12.5	110	256		
YGLZ1-1250A/4	698	336	390	296	440	53	565	220	120	80	68	8	12.5	110	256		
YGLZ1-1600A/3	583	336	390	296	354	53	450	220	120	80	68	10	12.5	111	257		
YGLZ1-1600A/4	698	336	390	296	440	53	565	220	120	80	68	10	12.5	111	257		
YGLZ1-2000A/3	583	422	568	475	354	53	450	220	120	80	111	10	12.5	70	211	330	445
YGLZ1-2000A/4	698	422	568	475	440	53	565	220	120	80	111	10	12.5	70	211	330	445
YGLZ1-2500A/3	583	432	568	475	354	53	450	220	120	80	116	15	12.5	70	216	330	450
YGLZ1-2500A/4	698	432	568	475	440	53	565	220	120	80	116	15	12.5	70	216	330	450
YGLZ1-3150A/3	583	442	568	475	354	53	450	220	120	80	121	20	12.5	75	221	330	455
YGLZ1-3150A/4	698	442	568	475	440	53	565	220	120	80	121	20	12.5	75	221	330	455

# YGLZ1-125~4000A

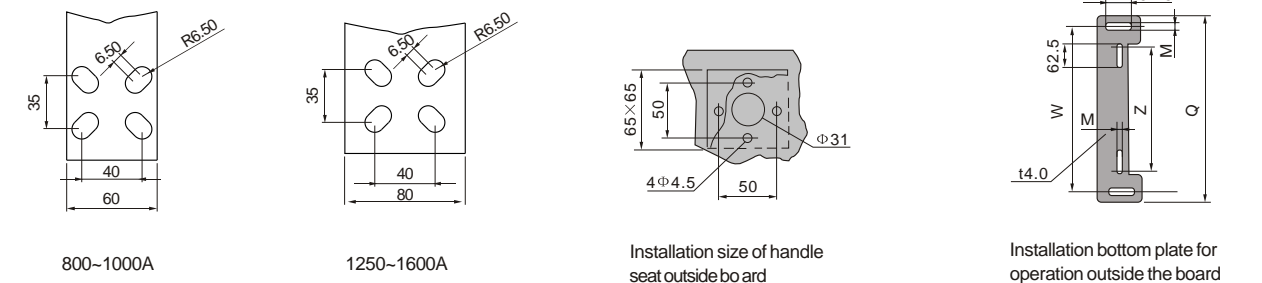
Series Transfer Load-isolation Switch

## YGLZ2-125~1600A Outline and installation dimensions



Direct operation on front face YGLZ2K-125~1600A

Operation outside YGLZ2-125~1600A



800~1000A

1250~1600A

Installation size of handle seat outside board

Installation bottom plate for operation outside the board

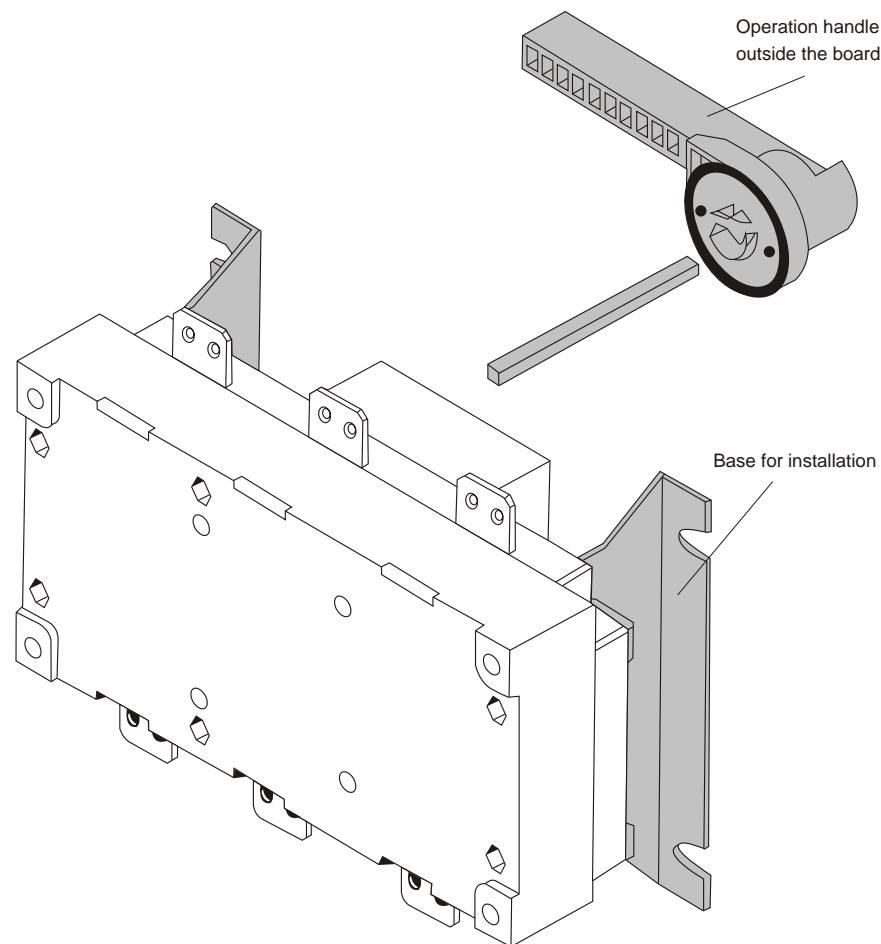
Specification	External Dimension and Installation Dimension																
	A	B	C	E	Y	J	J1	K	M	N	P	Q	R	S	T	W	Z
YGLZ2-80A-100A/4	324	106	115.5	60	39	310		84					14	18	2.5		
YGLZ2-125-160A/3	320	135	148	89	55	302	120	95	6.5	59	36	218	20	25	3	190	90
YGLZ2-125-160A/4	378	135	148	89	55	359	150	95	6.5	59	36	218	20	25	3	190	90
YGLZ2-200-250A/3	400	165	167	100	65	380	160	115	6.5	65	50	218	25	30	3.5	190	90
YGLZ2-200-250A/4	498	165	167	100	65	480	210	115	6.5	65	50	218	25	30	3.5	190	90
YGLZ2-315-400A/3	530	234	213	129	85	515	210	180	8.5	90	65	270	32	38	5	240	130
YGLZ2-315-400A/4	650	234	213	129	85	515	270	180	8.5	90	65	270	32	38	5	240	130
YGLZ2-500-630A/3	530	250	213	129	85	515	210	180	8.5	90	65	270	40	45	6	240	130
YGLZ2-500-630A/4	650	250	213	129	85	515	270	180	8.5	90	65	270	40	45	6	240	130
YGLZ2-1000A/3	835	328	242	145	110	811	352	220	8.5	105	120	311	60	64	8	280	180
YGLZ2-1000A/4	1064	328	242	145	110	1045	467	220	8.5	105	120	311	60	64	8	280	180
YGLZ2-1250A/3	835	336	242	145	110	811	352	220	8.5	105	120	311	80	68	8	280	180
YGLZ2-1250A/4	1064	336	242	145	110	1045	467	220	8.5	105	120	311	80	68	8	280	180
YGLZ2-1600A/3	835	336	242	145	111	811	352	220	8.5	105	120	311	80	68	10	280	180
YGLZ2-1600A/4	1064	336	242	145	111	1045	467	220	8.5	105	120	311	80	68	10	280	180

# YGLH-125~1600A

Series Operation - isolation Switch Behind

## General

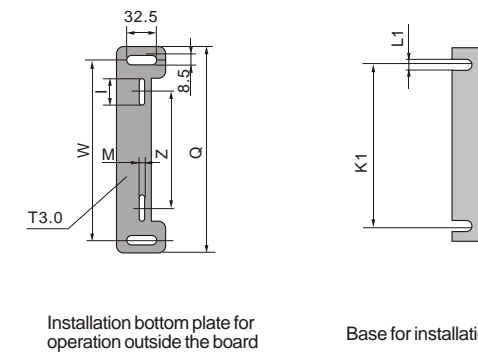
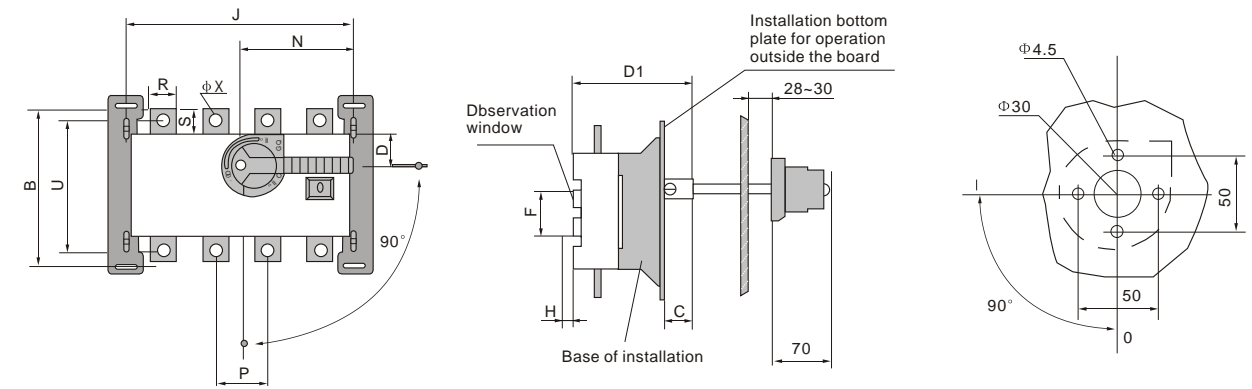
- 125-630A is suitable for the on and off of electric circuit or electric insulation. Those over 1,000A are only suitable for electric insulation.
  - 125-630A possesses three poles, and four pole (three pole+onoff neutral pole).
  - Observation window can be provided for products below 630A can be provided according to the demand to observe directly the on and off state of the contact.
  - Two set of auxiliary contacts can be assembled according to demand.
  - Mechanical property and electric property correspond to the mechanical property and electric property of YGL-125~1600A.
- Notes: only offer products for operation outside board.



# YGLH-125~1600A

Series Operation - isolation Switch Behind

## YGLH-125~630A Outline and installation dimensions



Specification	Dimension of Bottom Board						
	I	M	Z	W	Q	K1	L1
YGLH-125A	55	6.5	110	216	244	95	7
YGLH-160A	55	6.5	110	216	244	95	7
YGLH-200A	55	6.5	110	216	244	116	9
YGLH-250A	55	6.5	110	216	244	116	9
YGLH-315A	60	8.5	170	280	311	180	11
YGLH-400A	60	8.5	170	280	311	180	11
YGLH-500A	60	8.5	170	280	311	180	11
YGLH-630A	60	8.5	170	280	311	180	11

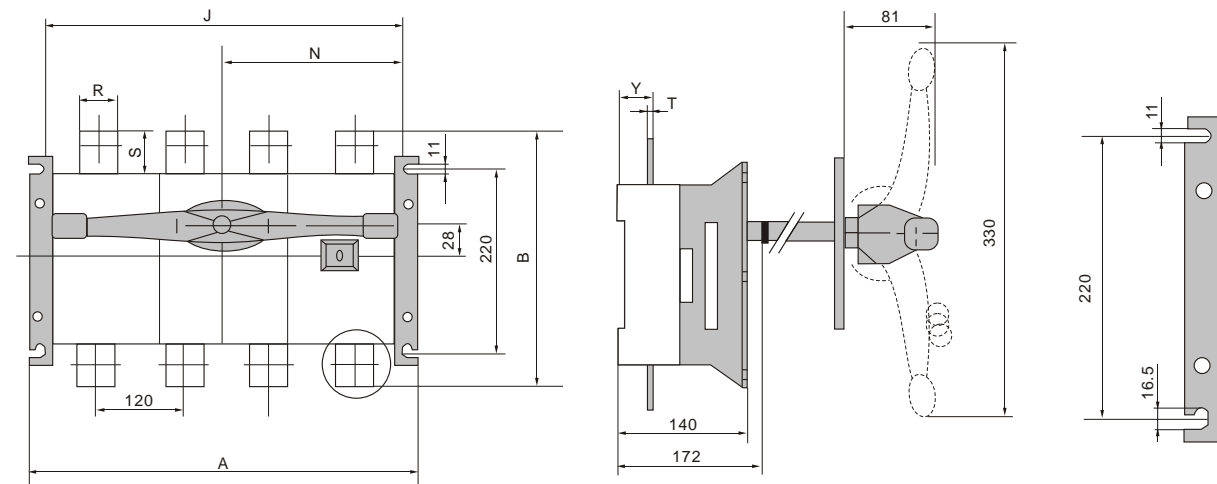
Specification	External Dimension and Installation Dimension												
	B	C	D	D1	J	N	P	R	S	U	ϕX	F	H
YGLH-125A/3	135	17	27	92	120	85	36	20	25	115	10	49	10
YGLH-125A/4	135	17	27	92	150	85	36	20	25	115	10	49	10
YGLH-160A/3	135	17	27	92	120	85	36	20	25	115	10	49	10
YGLH-160A/4	135	17	27	92	150	85	36	20	25	115	10	49	10
YGLH-200A/3	165	18	35	103	160	115	50	25	30	134	11	79	15
YGLH-200A/4	165	18	35	103	210	115	50	25	30	134	11	79	15
YGLH-250A/3	165	18	35	103	160	115	50	25	30	134	11	79	15
YGLH-250A/4	165	18	35	103	210	115	50	25	30	134	11	79	15
YGLH-315A/3	234	20	50	138	210	145	65	32	38	205	11	94	20
YGLH-315A/4	234	20	50	138	270	145	65	32	38	205	11	94	20
YGLH-400A/3	234	20	50	138	210	145	65	32	38	205	11	94	20
YGLH-400A/4	234	20	50	138	270	145	65	32	38	205	11	94	20
YGLH-500A/3	250	20	50	138	210	145	65	40	45	215	12.5	94	20
YGLH-500A/4	250	20	50	138	270	145	65	40	45	215	12.5	94	20
YGLH-630A/3	250	20	50	138	210	145	65	40	45	215	12.5	94	20
YGLH-630A/4	250	20	50	138	270	145	65	40	45	215	12.5	94	20

# YGLH-125~1600A

Series Operation - isolation Switch Behind

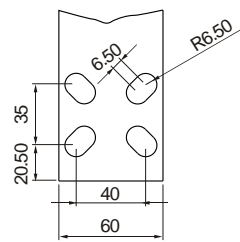


## YGLH-1000~1600A Outline and installation dimensions

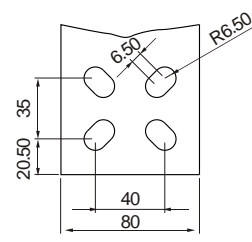


YGLH-1000~1600A/J Operation outside board

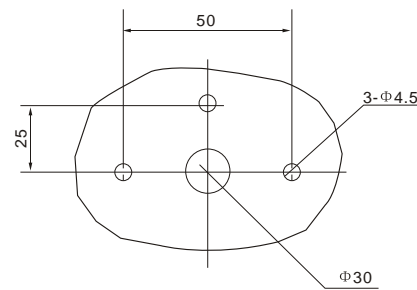
Base for installation



800~1000A



1250~1600A



Installation size of handle seat outside board

Specification	External Dimension and Installation Dimension							
	A	B	J	N	R	S	T	Y
YGLH-1000A/3	378	328	354	173	60	64	8	48
YGLH-1000A/4	492	328	440	246	60	64	8	48
YGLH-1250A/3	378	336	354	173	80	68	8	48
YGLH-1250A/4	492	336	440	246	80	68	8	48
YGLH-1600A/3	378	336	354	173	80	68	10	49
YGLH-1600A/4	492	336	440	246	80	68	10	49

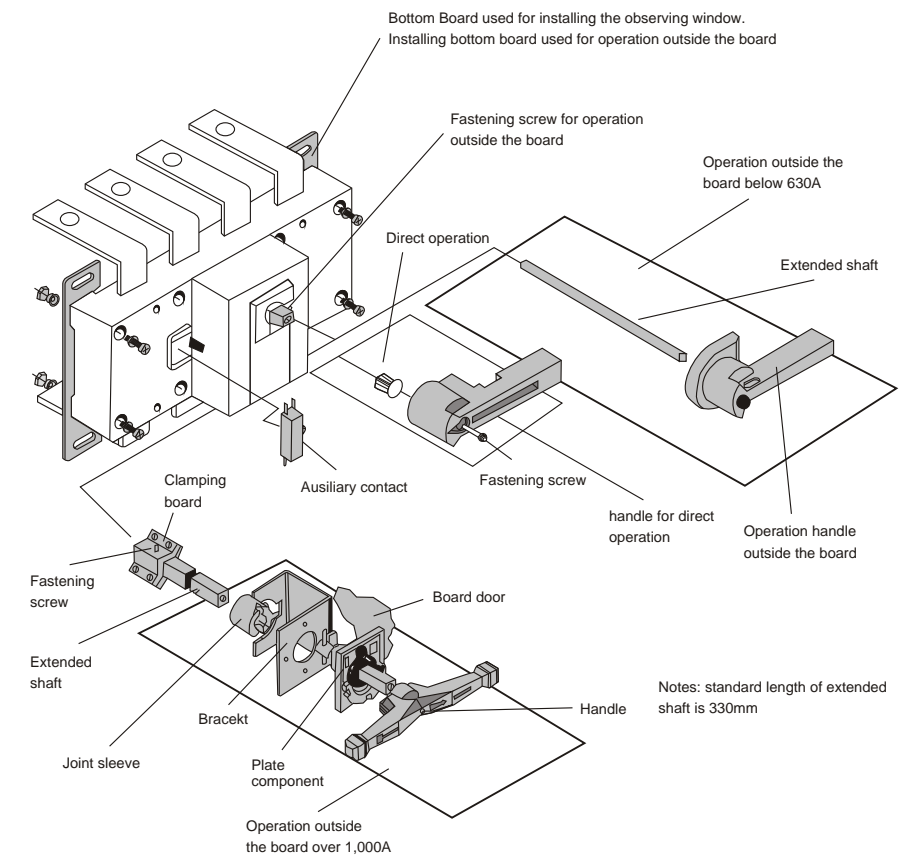
# YGLB-125~1600A

Series Connection Load-isolation Switch Behind



## General

- 125-630A is suitable for the on and off of electric circuit or electric insulation. Over 1,000A is only suitable for electric insulation.
- 125-630A was three poles, and four pole (three pole+onoff neutral pole).
- Products below 630A with observation window can be provided according to the demand to observe the on and off state of contact.
- Two sets of auxiliary contacts is assembled according to demand.
- Mechanical property and electric property correspond to the mechanical property and electric property of YGL-125~1600A.

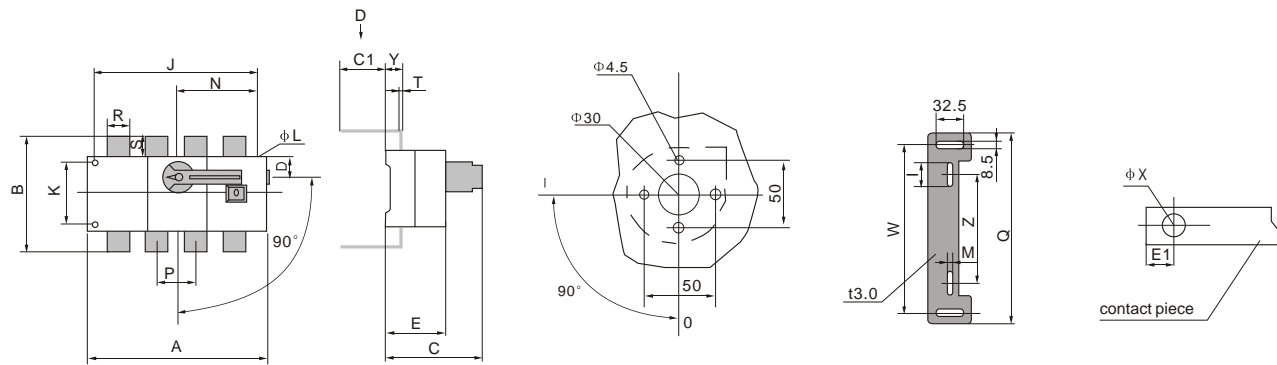


# YGLB-125~1600A

Series Connection Load-isolation Switch Behind



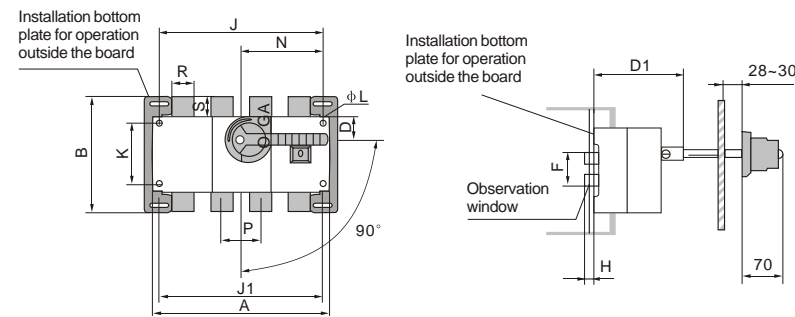
## YGLB-125~630A Outline and installation dimensions



Direct operation of YGLB-125~630A

Installation size of handle seat outside board

Installation bottom plate for operation outside the board



Operation outside the YGLB-125~630A/JK board

Specification	Dimension of Bottom Board				
	I	M	Z	W	Q
YGLB-125A	55	5.5	85	190	218
YGLB-160A	55	5.5	85	190	218
YGLB-200A	55	5.5	85	190	218
YGLB-250A	55	5.5	85	190	218
YGLB-315A	60	6.5	130	240	270
YGLB-400A	60	6.5	130	240	270
YGLB-500A	60	6.5	130	240	270
YGLB-630A	60	6.5	130	240	270

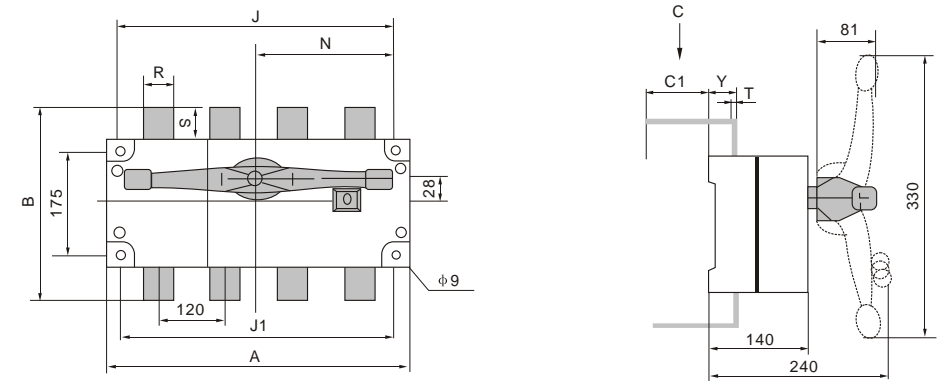
Specification	External Dimension and Installation Dimension																				
	A	B	C	C1	D	D1	E	E1	ΦL	J	J1	K	N	P	R	S	T	ΦX	Y	F	H
YGLB-125A/3	140	135	120	70	27	92	73	10	5.5	120	120	65	85	36	20	25	3	8.5	24	49	10
YGLB-125A/4	170	135	120	70	27	92	73	10	5.5	150	150	65	85	36	20	25	3	8.5	24	49	10
YGLB-160A/3	140	135	120	70	27	92	73	10	5.5	120	120	65	85	36	20	25	3	8.5	24	49	10
YGLB-160A/4	170	135	120	70	27	92	73	10	5.5	150	150	65	85	36	20	25	3	8.5	24	49	10
YGLB-200A/3	180	165	140	75	35	103	86	15	7	160	160	90	115	50	25	30	3.5	10.5	27	79	15
YGLB-200A/4	230	165	140	75	35	103	86	15	7	210	210	90	115	50	25	30	3.5	10.5	27	79	15
YGLB-250A/3	180	165	140	75	35	103	86	15	7	160	160	90	115	50	25	30	3.5	10.5	27	79	15
YGLB-250A/4	230	165	140	75	35	103	86	15	7	210	210	90	115	50	25	30	3.5	10.5	27	79	15
YGLB-315A/3	230	234	185	80	50	138	116	17	7	210	210	140	145	65	32	38	5	10.5	37	94	20
YGLB-315A/4	290	234	185	80	50	138	116	17	7	270	270	140	145	65	32	38	5	10.5	37	94	20
YGLB-400A/3	230	234	185	80	50	138	116	17	7	210	210	140	145	65	32	38	5	10.5	37	94	20
YGLB-400A/4	290	234	185	80	50	138	116	17	7	270	270	140	145	65	32	38	5	10.5	37	94	20
YGLB-500A/3	230	250	185	85	50	138	116	20	7	210	210	140	145	65	40	45	6	12.5	38	94	20
YGLB-500A/4	290	250	185	85	50	138	116	20	7	270	270	140	145	65	40	45	6	12.5	38	94	20
YGLB-630A/3	230	250	185	85	50	138	116	20	7	210	210	140	145	65	40	45	6	12.5	38	94	20
YGLB-630A/4	290	250	185	85	50	138	116	20	7	270	270	140	145	65	40	45	6	12.5	38	94	20

# YGLB-125~1600A

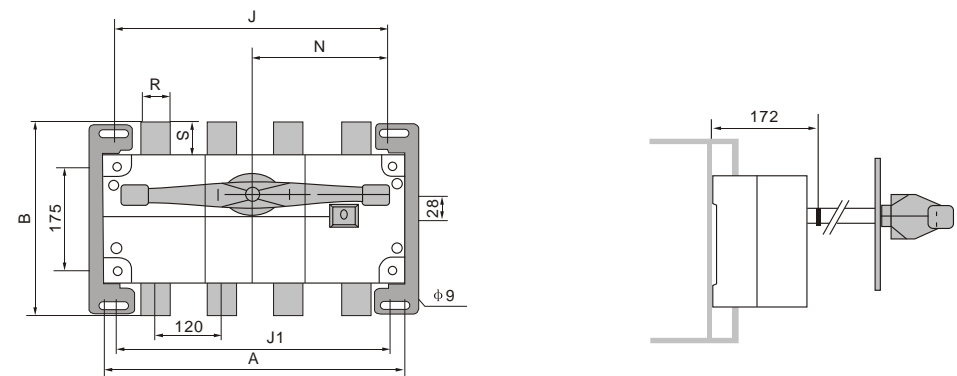
Series Connection Load-isolation Switch Behind



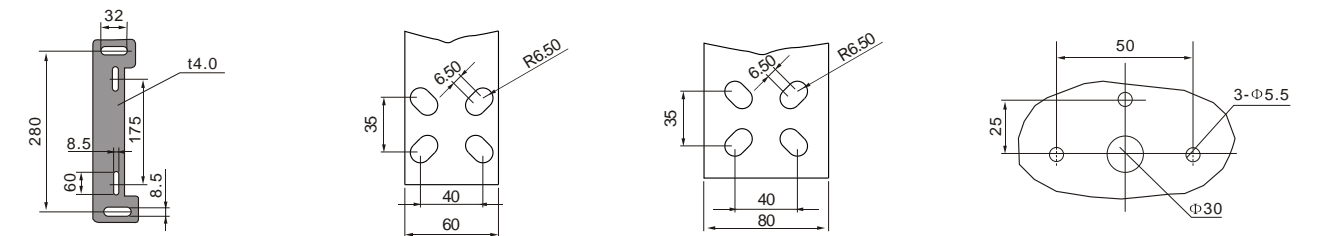
## YGLB-1000~1600A Outline and installation dimensions



YGLB-1000~1600A Direct operation



YGLB-1000~1600A/J operation outside board



Installation bottom plate for operation outside the board

800~1000A

1250~1600A

Installation size of handle seat outside board

Specification	External Dimension and Installation Dimension									
	A	B	C1	J	J1	N	R	S	T	Y
YGLB-1000A/3	378	328	100	354	352	173	60	64	8	48
YGLB-1000A/4	492	328	100	440	467	248	60	64	8	48
YGLB-1250A/3	378	336	100	354	352	173	80	68	8	48
YGLB-1250A/4	492	336	100	440	467	248	80	68	8	48
YGLB-1600A/3	378	336	100	354	352	173	80	68	10	49
YGLB-1600A/4	492	336	100	440	467	248	80	68	10	49