



Distribution Boards

ETB01 Pan assembly



ETB01 Pan assembly

Technical Detail:

Standard: Comply with IEC61439-2: 2011

Suitable for modular as well as non modular incomers and modular outgoing.

KEMA Type tested insulated tinned copper busbar assembly: Rated short circuit with sand 20KA at 415V, 250A main for 0.2S.

One piece copper construction.

Specification:

Fully insulated and upto 250 A, 415V

Incomer: MCB, MCCB, ELCB, ISOLATOR

Outgoing: 4, 6, 8, 10, 12, 14, 16, 18, 20, 22, 24W TP



ETD01T Distribution board

ETD01T DB were designed to use ETB01 Pan assembly

Technical Detail:

Standard: Comply with IEC61439-1: 2011

Suitable for modular as well as non modular incomers and modular outgoing.

Thickness: 1.2mm SPCC steel sheet

Surface finish: RAL7035 Texture

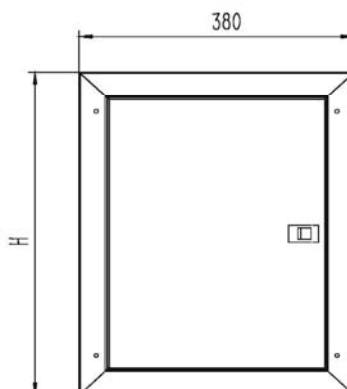
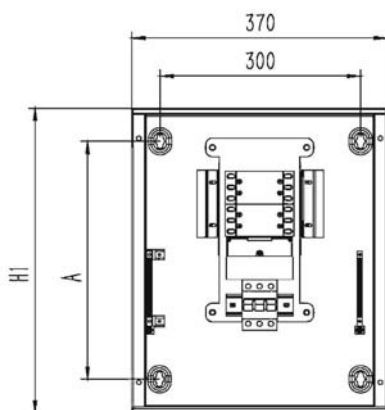
Available on customer request

Door: Reversible

Protection: IP42

Dimension

MCB, ISOLATOR, RCD INCOMING			
	H	H1	A
TP 4W	500	490	390
TP 6W	554	544	444
TP 8W	608	598	498
TP 10W	662	652	552
TP 12W	716	706	606
TP 14W	770	760	660
TP 16W	824	814	714



ETB03 Pan assembly



ETB03 Pan assembly

Technical Detail:

Standard: Comply with IEC61439-2: 2011

Suitable for modular as well as non modular incomers and modular outgoings.

Miniaturization Design
One piece copper construction.

Specification:

Fully insulated and upto 250A 415Vac.

Incomer: MCB, MCCB, ELCB, ISOLATOR

Outgoing: 4, 6, 8, 10, 12, 14, 16, 18, 20, 22, 24W TP

ETD03T Distribution board

ETD03T DB were designed to use ETB03 Pan assembly

Technical Detail:

Standard: Comply with IEC61439-1: 2011

Suitable for modular as well as non modular incomers and modular outgoings.

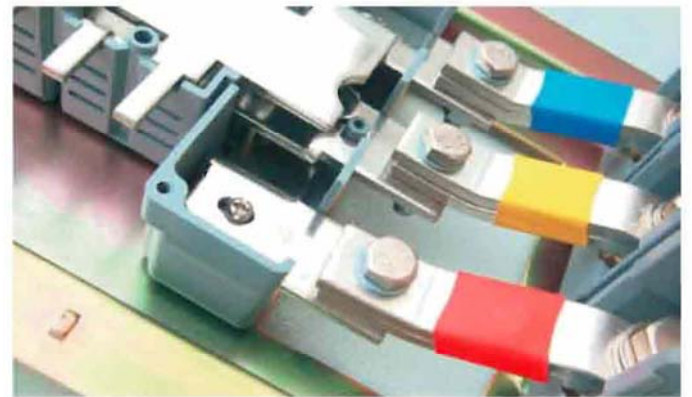
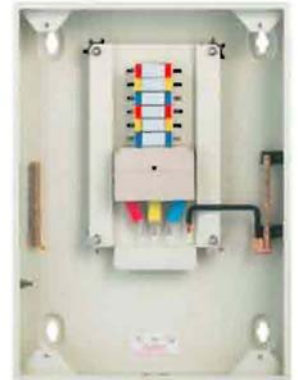
Thickness: 1.2mm SPCC steel sheet

Surface finish: RAL7035 Texture

Available on customer request

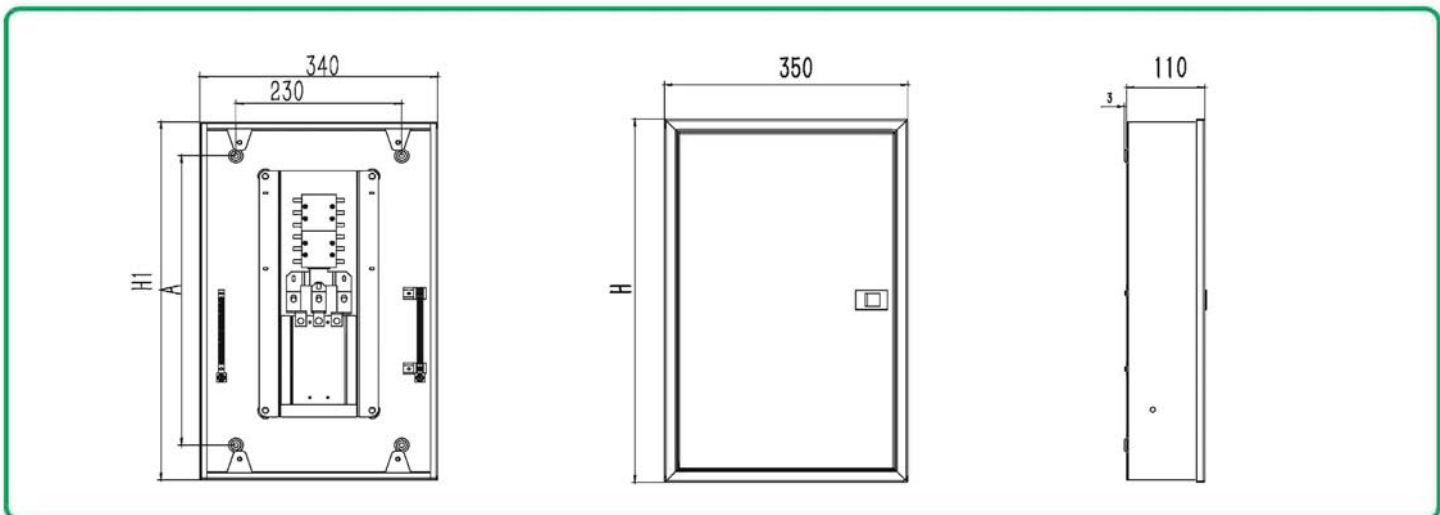
Door: Reversible

Protection: IP42



Dimension

MCB, ISOLATOR, RCD INCOMING			
	H	H1	A
TP 4W	490	480	400
TP 6W	544	534	454
TP 8W	598	588	508
TP 10W	652	642	562
TP 12W	706	696	616
TP 14W	760	750	670
TP 16W	814	804	724



ETB04 Pan assembly



ETB04 Pan assembly

Technical Detail:

Standard: Comply with IEC61439-2: 2011

Suitable for modular as well as non modular incomers and modular outgoing.

With separated neutral and earth link each side on the mounted plate.

Specification:

Fully insulated and upto 250A 415V

Incomer: MCB, MCCB, ELCB, ISOLATOR

Outgoing: 4, 6, 8, 10, 12, 14, 16, 18, 20, 22, 24, TP

ETD04T Distribution board

ETD04T DB were designed to use ETB04 Pan assembly

Technical Detail:

Standard: Comply with IEC61439-1: 2011

Suitable for modular as well as non modular incomers and modular MCB outgoing.

Thickness: 1.2mm SPCC steel sheet

Surface finish: RAL7035

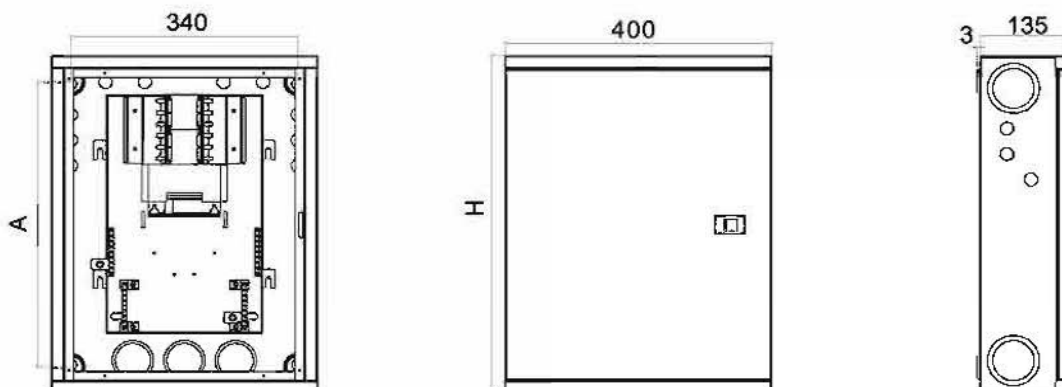
Available on customer request

Protection: IP42

Mounted type: Surface

Dimension

	H	A
TP 4W	500	420
TP 6W	554	474
TP 8W	608	528
TP 10W	662	582
TP 12W	716	636
TP 14W	770	690
TP 16W	824	744



ETB05 Pan assembly



ETB05 Pan assembly

Technical Detail:

Standard: Comply with IEC61439-2: 2011

Suitable for modular as well as non modular incomers and plug-in type MCB outgoing.

Plug-in Design

One piece copper construction.

Specification:

Fully insulated and upto 400A 415 Vac.

Incomer: MCB, MCCB, ELCB, ISOLATOR

Outgoing: 4, 6, 8, 10, 12, 14, 16, TP Plug-in MCB

2, 6, 8, 10, 12 DP Plug-in MCB

4, 6, 8, 10, 12, 14, 16 SP Plug-in MCB

ETD05T Distribution board

ETD05T DB were designed to use ETB05 Pan assembly

Technical Detail:

Standard: Comply with IEC61439-1: 2011

Suitable for modular as well as non modular incomers and plug-in MCB outgoing.

Thickness: 1.2mm SPCC steel sheet

Surface finish: RAL7035

Available on customer request

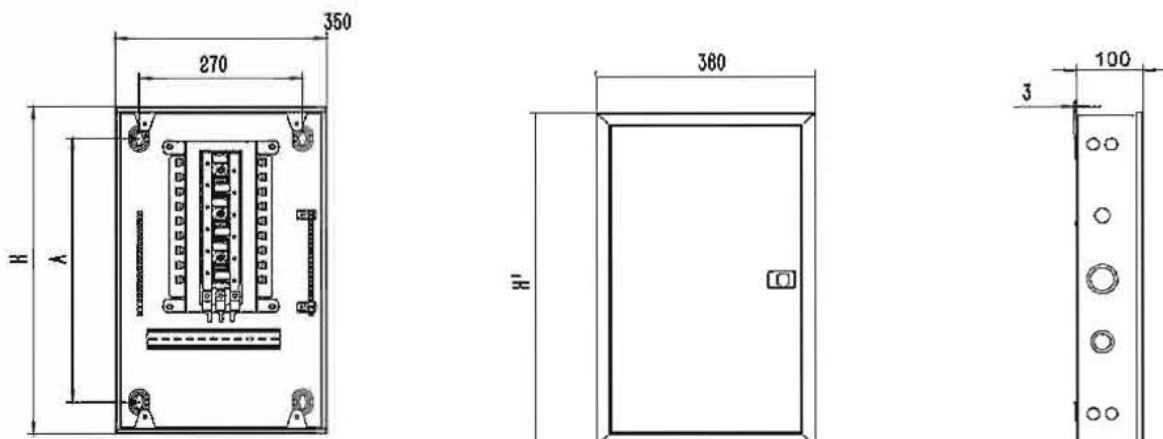
Door: Reversible

Protection: IP42

Dimension

MCB, ISOLATOR, RCD INCOMING

	H	H1	A
TP 4W	525	535	400
TP 6W	579	589	454
TP 8W	633	643	508
TP 10W	687	697	562
TP 12W	741	751	616
TP 14W	795	805	670
TP 16W	849	859	724



Din-rail mounted Distribution Board

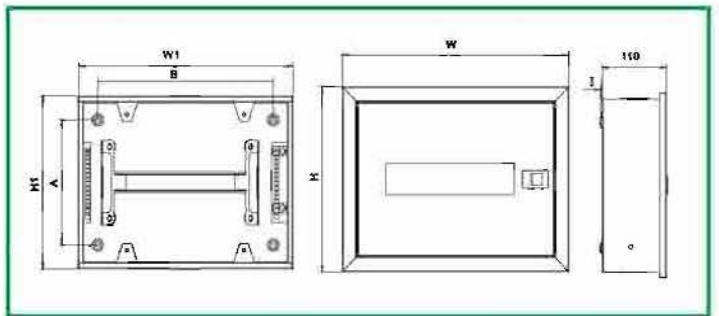
ETD01S Distribution Board

Feature:

- With each General neutral and earth link
- Material: 1 or 1.2mm SPCC steel sheet
- Surface finish:RAL7035 Texture
- Available on customer request.
- Door: Reversible
- Protection: IP42
- Mounted type: Flush and Surface

	W	W1	A	B	H	H1
4W	244	234	200	156	295	286
6W	280	270	200	192	295	286
8W	316	306	200	228	295	286
10W	352	342	200	264	295	286
12W	388	378	200	300	295	286
14W	424	414	200	336	295	286
16W	460	450	200	372	295	286
18W	496	486	200	408	295	286

2Row:H+150MM;3Row:H+300MM;4Row:H+450MM

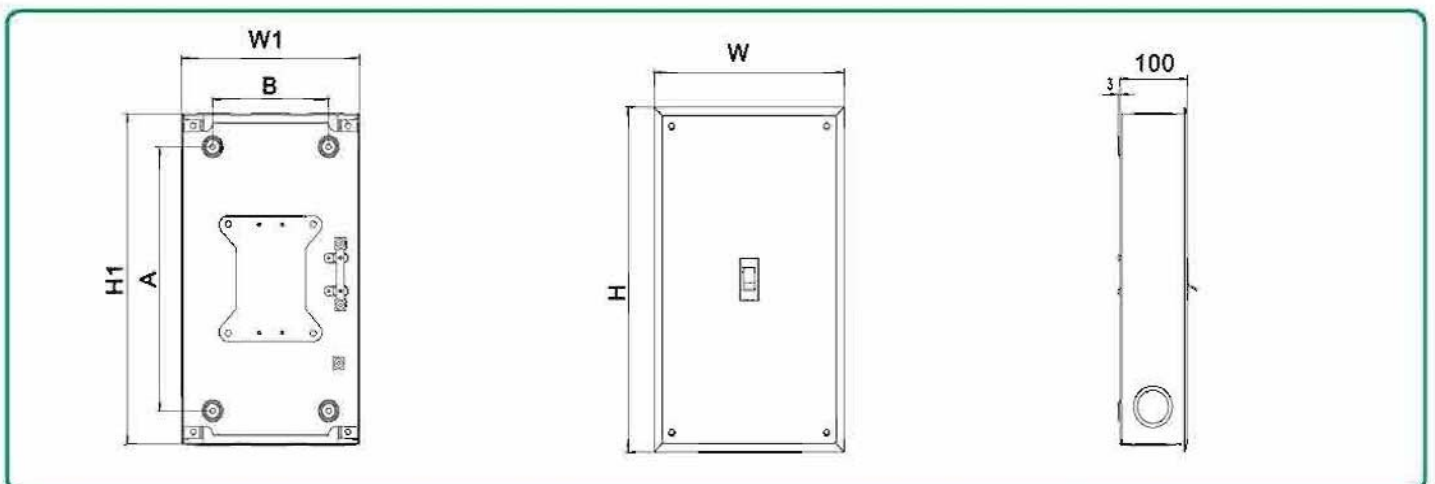


ETD13 MCCB BOX

Feature:

- Suitable for MCCB installed only
- Material: 1 or 1.2mm SPCC steel sheet
- Surface finish: RAL7035 VEIN
- Available on customer request.
- With neutral and earth Link
- Mounted type: Flush and Surface

	H	H1	W	W1	A	B
125	340	320	206	187	238	107
250	420	400	275	230	320	150



More Products



Accessories



Earth neutral terminal with its accessories suitable for most type of enclosures.



IP 54 door closure is made of ABS, available in black colour and suitable for use in IP 54 enclosures and weatherproof cubicles.



Zinc alloy & plastic door hinges, suitable for use in enclosures, cubicles and switchboard front and back doors, elegant and no welding is required.



Locks

Door closure is available in black colour and suitable for all kinds of enclosure, starter panels and switch board front doors



Hinges

Mild steel conceal door hinges with rainbow colour, suitable for use in IP 54 enclosures and weatherproof cubicles.



Terminal Block
Dinrail 1M
Busbar 1P-4P U/L 1M



AUTHORIZED DISTRIBUTOR



Mutiara Bekasi Jaya, Ruko Mini Mall Blok G1 No.23
 Sindang Mulya, Cibarusah, Bekasi-Indonesia 17340
 Phone : +62 21 8995 0919, 8995 2825
 Fax : +62 21 8995 3069
 Website : www.BCP-Group.co.id