

DS Current Transformers



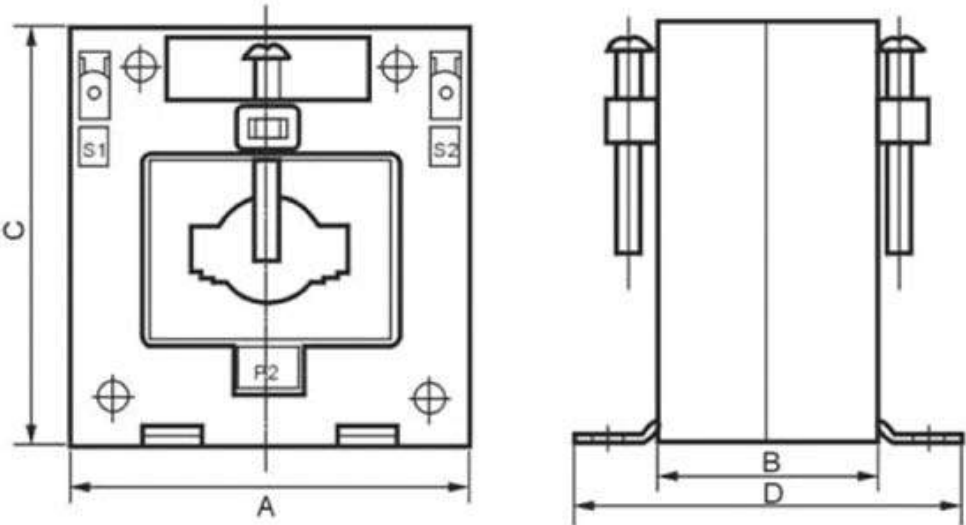
Technical data & Specification:

Model	Rated current(A) Primary/Secondary	Busbar Hole Dimension	Rated Burden(VA)	Accuracy class	Rated Voltage	Rated Frequency
DSM-20B	50/5A-200/5A		1.5-3	1.0	660V	50/60Hz
DSM-20	50/5A-200/5A	20 X 10mm	1.5-3	1.0	660V	50/60Hz
DSM-30	50/5A-200/5A	20 X 10mm	1.5-3	1.0	660V	50/60Hz
DSM-30	50/5A-300/5A	30 X 10mm	2.5-5	1.0	660V	50/60Hz
DS-40	150/5A-800/5A	40 X 10mm	5-10	1.0	660V	50/60Hz
DS-60	400/5A-1000/5A	60 X 10mm	10	1.0	660V	50/60Hz
DS-100	800/5A-3000/5A	100 X 10mm	5	1.0	660V	50/60Hz

Dimension of case (mm):

Model	A	B	C	D
DS-20A	56	30	63	80
DS-20	56	30	63	50
DS-30	56	30	63	50
DS-30	79	42	87	66
DS-40	79	42	87	66
DS-60	103	42	113	66
DS-100	151	42	166	69

Overall drawing:



MSQ Current Transformers



MSQ-30B



MSQ-30T

This series of CT can be applied to test, control, display and record the running of the electrical equipment, and to protect the equipment against the damage, in the AC circuit with the rated voltage value below 720V and the frequency of 50-60Hz. The product can be also applied to form a complete set of mine transformer.

The products comply with VDE 0414, BS7626 and IEC 44-1 standard.

Technical characteristics of current transformers:

Type	Rated current (A)	Rated power (VA)		Weight (kg)
		Class:0.5	Class:1	
MSQ-30B	5/5	5-10	5-10	0,60
	10/5	5-10	5-10	0,60
	15/5	5-10	5-10	0,60
	20/5	5-10	5-10	0,60
	25/5	5-10	5-10	0,60
	30/5	5-10	5-10	0,60
	40/5	5-10	5-10	0,60
	50/5	5-10	5-10	0,60
	60/5	5-10	5-10	0,60
	75/5	5-10	5-10	0,60
	80/5	5-10	5-10	0,60
	100/5	5-10	5-10	0,60
	120/5	5-10	5-10	0,60
	125/5	5-10	5-10	0,60
	150/5	5-10	5-10	0,60
	200/5	5-10	5-10	0,60
250/5	5-10	5-10	0,60	

WITH BUSBAR

Bar: 30 X 10mm
conductor: Ø20mm

Type	Rated current(A)	Rated power (VA)		Weight (kg)
		Class:0.5	Class:1	
MSQ-30T	100/5	2.5-5	5	0,62
	125/5	3-5	5-10	0,62
	150/5	5-10	5-10	0,62
	160/5	5-10	5-10	0,62
	200/5	5-10	5-10	0,62
	250/5	5-10	5-10	0,62



MSQ-30



MSQ-40



MSQ-60



MSQ-100

Technical characteristics of current transformers:WINDOWS TYPE

WITH BUSBAR

Bar: 30 X 10mm
Conductor: Ø20mm

Type	Rated current (A)	Rated power (VA)		Weight (kg)
		Class:0.5	Class:1	
MSQ-30	30/5	-	1	0,4
	40/5	-	1	0,4
	50/5	-	1	0,4
	60/5	-	1	0,4
	75/5	1	1.5	0,4
	80/5	1.5	2.5	0,4
	100/5	2.5	5	0,4
	150/5	5-10	5-10	0,4
	200/5	5-10	5-10	0,4
	250/5	5-10	5-10	0,4
	300/5	5-10	5-10	0,4

WINDOWS TYPE

Bar: 40 X 10mm
Conductor: Ø30mm

Type	Rated current (A)	Rated power (VA)		Weight (kg)
		Class:0.5	Class:1	
MSQ-40	100/5	2.5	2.5	0,38
	150/5	3	5	0,38
	200/5	5	5-10	0,38
	250/5	5-10	5-10	0,38
	300/5	5-10	5-10	0,38
	400/5	5-10	5-10	0,38
	500/5	5-10	5-10	0,38

WINDOWS TYPE

Bar: 60 X 20mm
Conductor: Ø40mm

Type	Rated current (A)	Rated power (VA)		Weight (kg)
		Class:0.5	Class:1	
MSQ-60	250/5	5	5	0.60
	300/5	5	5	0.60
	400/5	5-10	5-10	0.60
	500/5	5-10	5-10	0.60
	600/5	10-15	10-15	0.60
	750/5	10-15	10-15	0.60
	800/5	10-15	10-15	0.60
	1000/5	15	15	0.60

WINDOWS TYPE

Bar: 80 X 30mm.or 100 X 10mm
Conductor:Ø60mm

Type	Rated current (A)	Rated power (VA)		Weight (kg)
		Class:0.5	Class:1	
MSQ-100	1500/5	15	15	0,80
	1600/5	15	15	0,80
	2000/5	15	15	0,94
	2250/5	15	15	0,98
	2500/5	15	15	1,10
	3000/5	15	15	1,16