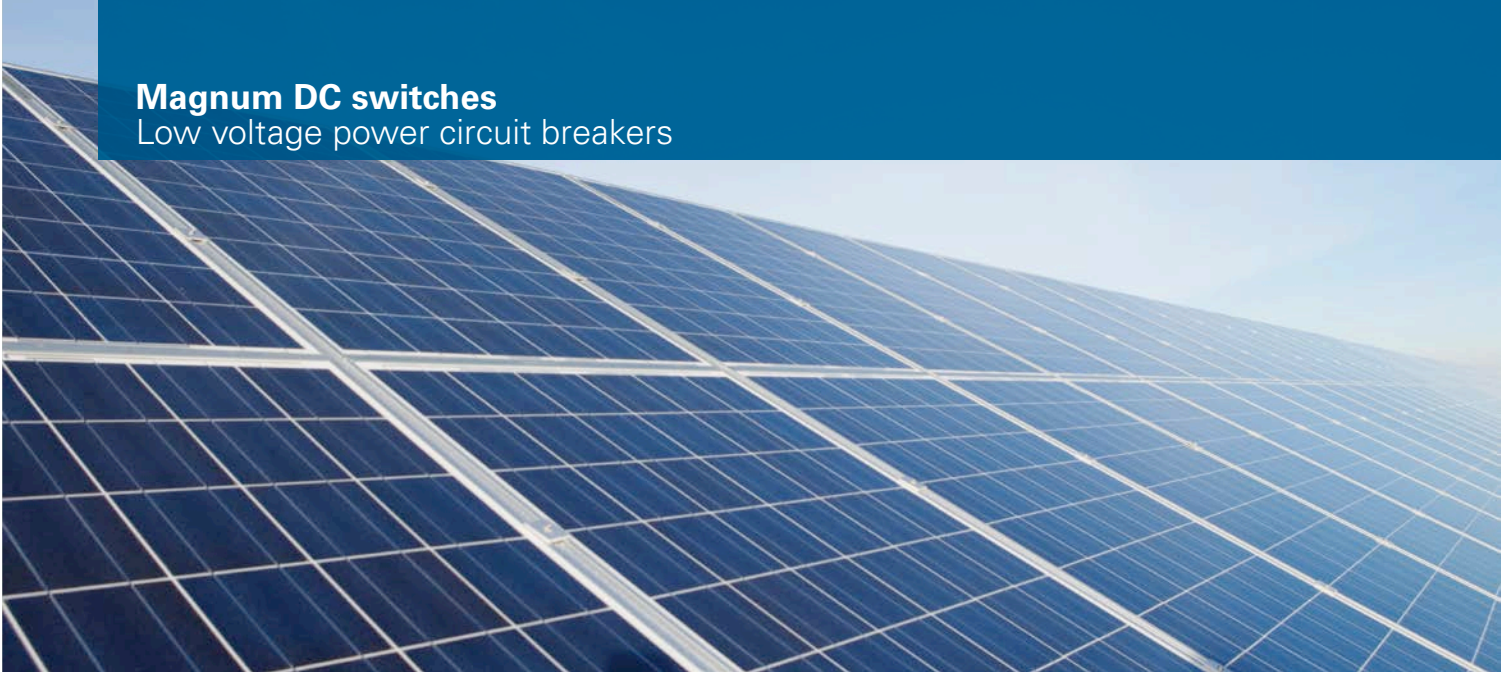
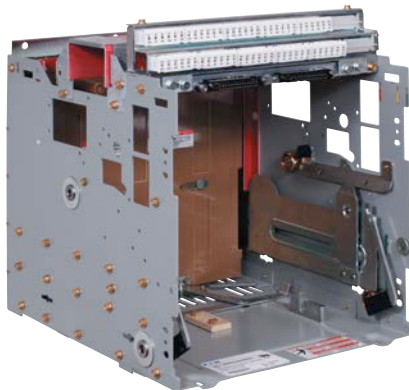


## Magnum DC switches

Low voltage power circuit breakers



# A comprehensive offering of third-party and globally certified DC switches



Eaton Magnum® DC switches are designed to provide excellent safety with a high level of performance that meets the demands of a global market.

### Features and benefits

The DC switch in the industry-proven Magnum platform provides DC technology in a common power breaker platform.

- The DC switch provides disconnect and switching to meet demanding industry standards
- UL® 1066—**300 Vdc**, 50 kA withstand and interruption, up to 3200 A continuous current
- UL 489—**600 Vdc**, 50 kA withstand and interruption, up to 3200 A continuous current
- IEC 60947-2—**1000 Vdc**, 25 kA interruption and up to 100 kA withstand, up to 5000 A
- Common accessories with the Magnum AC line of power circuit breakers reduces inventory and integration time

- Fixed and drawout versions address important design criteria, balancing cost, size and serviceability
- Internationally approved factory-installed and field-installable accessories identical to the Magnum air circuit breaker offering

### Applications

The line of Magnum switches covers a wide range of industry applications.

- Utility companies incorporating DC facility power and control for emergency or redundant power
- Backup UPS power systems requiring means to disconnect the battery for isolation and maintenance
- SCR and drive isolation switches for maintenance and emergency disconnect

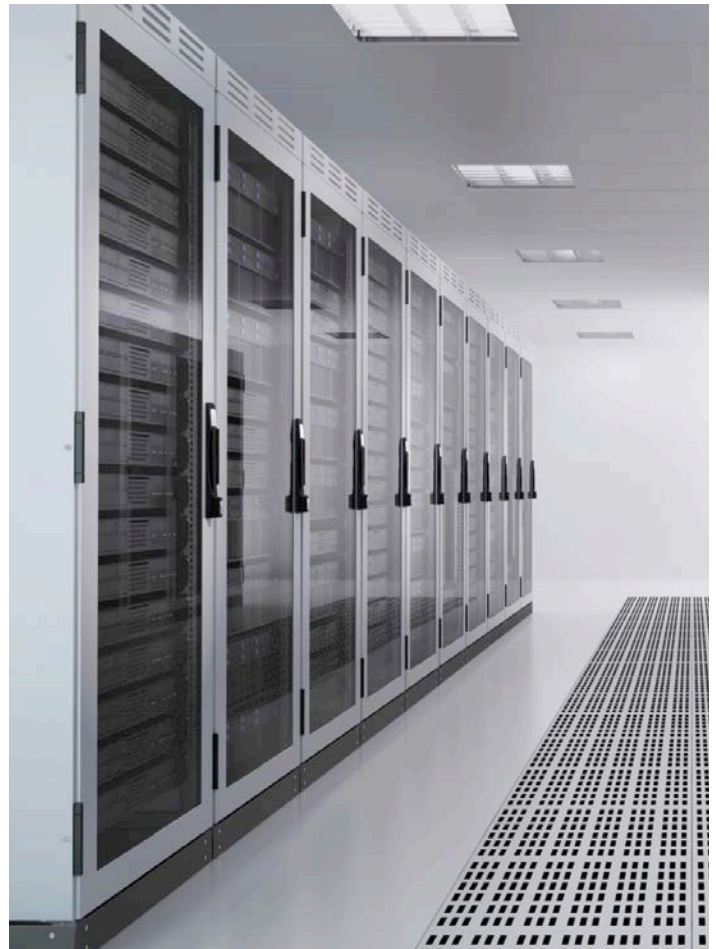
# EATON

Powering Business Worldwide

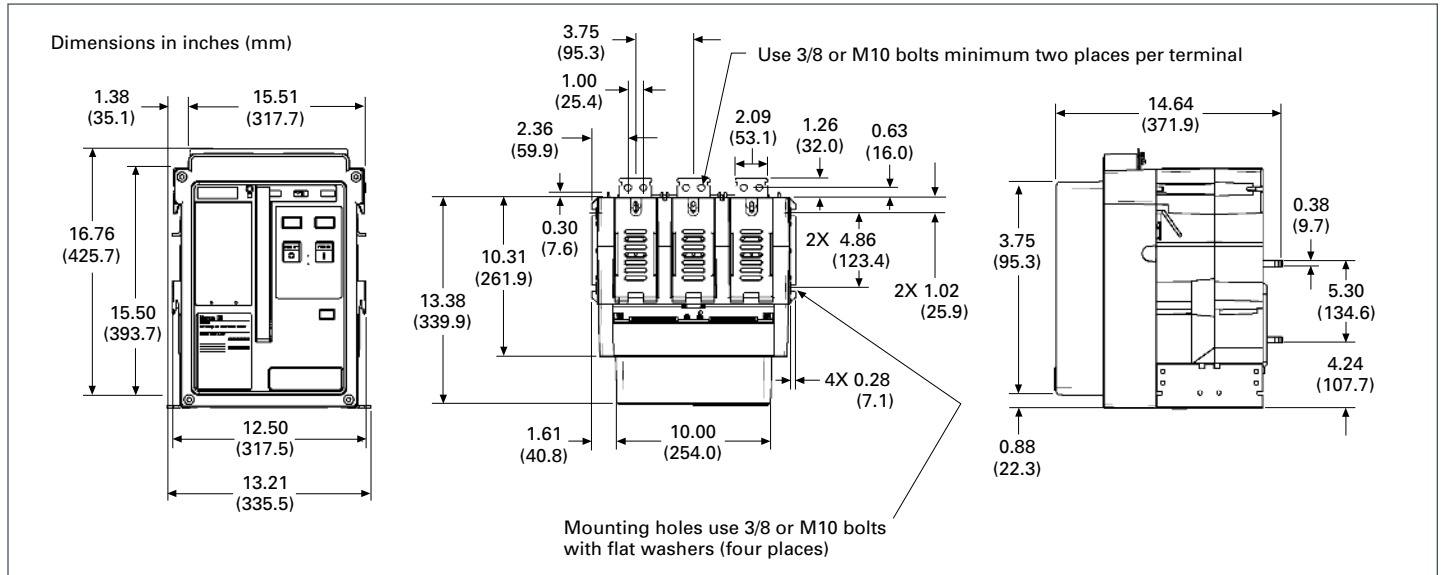
## Ratings for Magnum DC switches

Catalog type/standard	Frame type	Number of poles	Frame rating	DC voltage/ interrupt rating/ withstand rating	Load switching	For use in grounded systems	Connection type	Fixed/ drawout	Certification
<b>ANSI/UL® 1066 ratings at 300 Vdc</b>									
DAS	Standard	3	1600 A	300 V / 50 kA / 50 kA	Yes	Yes	Two-pole in series	Drawout	UL 1066
DAS	Standard	3	2000 A	300 V / 50 kA / 50 kA	Yes	Yes	Two-pole in series	Drawout	UL 1066
DAS	Standard	3	3200 A	300 V / 50 kA / 50 kA	Yes	Yes	Two-pole in series	Drawout	UL 1066
<b>UL 489 ratings at 600 Vdc</b>									
DBS	Standard	3	3200 A	600 V / 50 kA / 50 kA	Yes	Yes	Three-pole in series	Both	UL 489
<b>IEC ratings at 1000 Vdc ①</b>									
DEM/DGM	Narrow	3	800 A	1000 V / 25 kA / 65 kA	Yes	No/yes ①	Three-pole in series	Both	IEC 60947-2
DEM/DGM	Narrow	3	1000 A	1000 V / 25 kA / 65 kA	Yes	No/yes	Three-pole in series	Both	IEC 60947-2
DEM/DGM	Narrow	3	1250 A	1000 V / 25 kA / 65 kA	Yes	No/yes	Three-pole in series	Both	IEC 60947-2
DEM/DGM	Narrow	3	1600 A	1000 V / 25 kA / 65 kA	Yes	No/yes	Three-pole in series	Both	IEC 60947-2
DEM/DGM	Narrow	3	2000 A	1000 V / 25 kA / 65 kA	Yes	No/yes	Three-pole in series	Both	IEC 60947-2
DEK/DGK	Standard	3	2500 A	1000 V / 25 kA / 85 kA	Yes	No/yes	Three-pole in series	Both	IEC 60947-2
DEK/DGK	Standard	3	3200 A	1000 V / 25 kA / 85 kA	Yes	No/yes	Three-pole in series	Both	IEC 60947-2
DEM/DGM	Double narrow	6	4000 A	1000 V / 25 kA / 100 kA	Yes	No/yes	Three-pole in series	Both	IEC 60947-2
DEM/DGM	Double narrow	6	5000 A	1000 V / 25 kA / 100 kA	Yes	No/yes	Three-pole in series	Both	IEC 60947-2
DEK/DGK	Double standard	6	4000 A	1000 V / 25 kA / 100 kA	Yes	No/yes	Three-pole in series	Both	IEC 60947-2
DEK/DGK	Double standard	6	5000 A	1000 V / 25 kA / 100 kA	Yes	No/yes	Three-pole in series	Both	IEC 60947-2

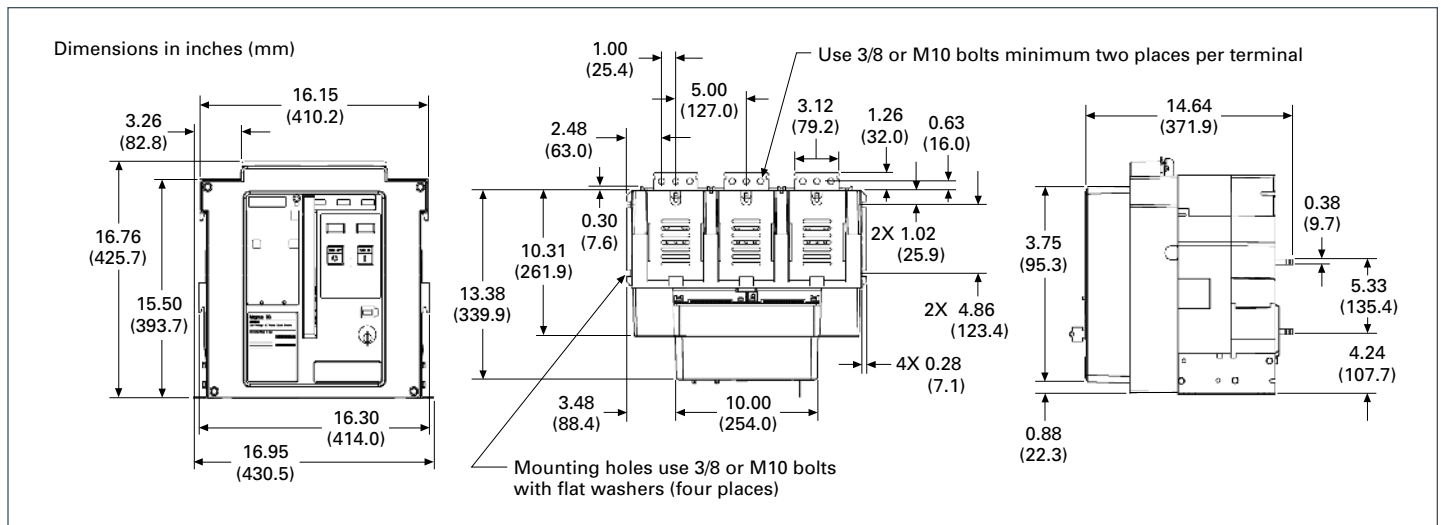
① DE is for use in ungrounded applications; DG is for use in grounded applications.



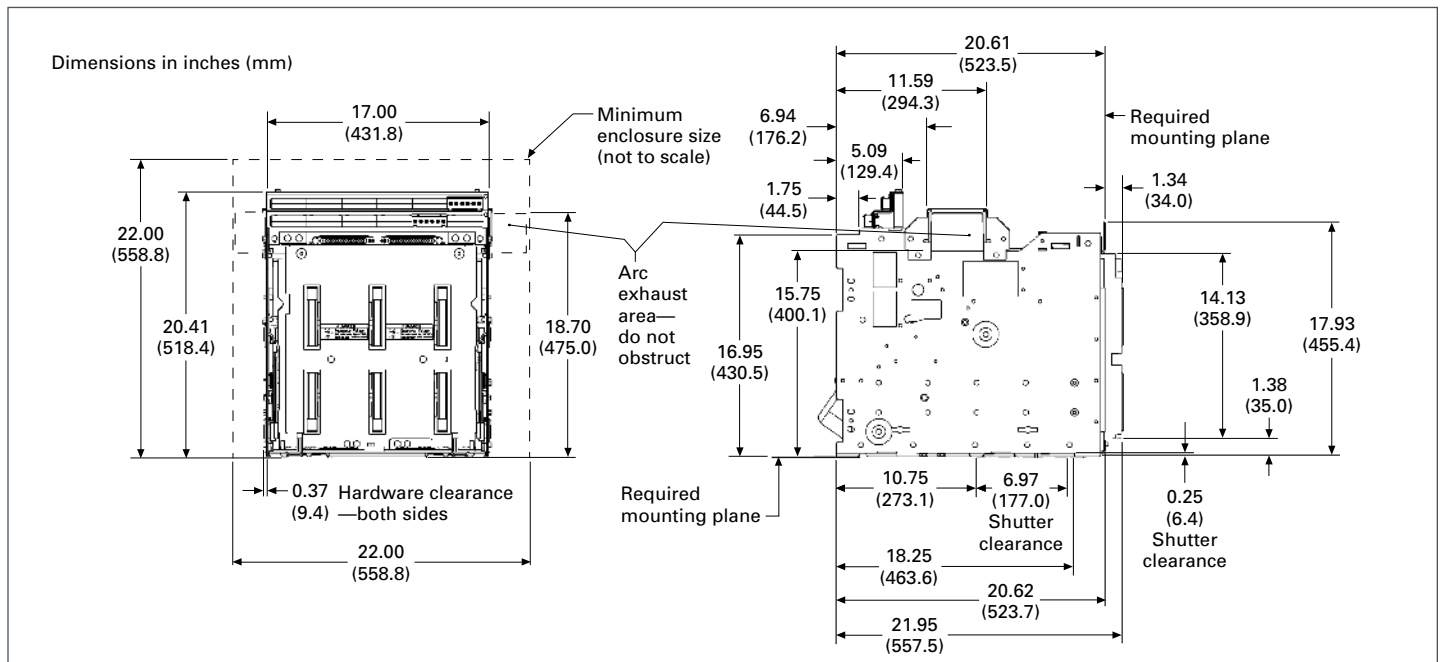
**Narrow frame fixed overall dimensions (three-pole, 800–2000 A)**



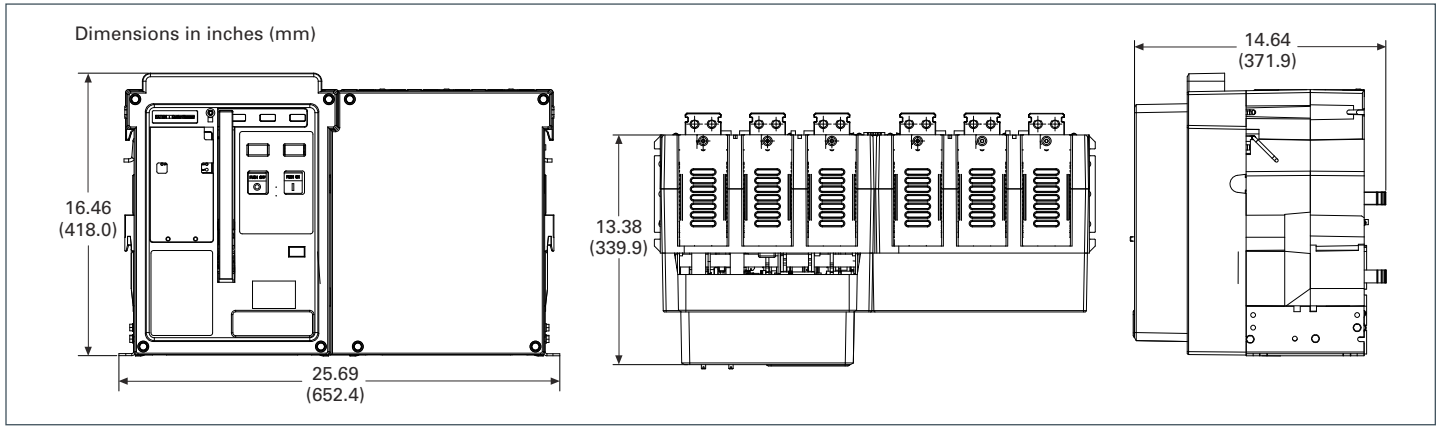
**Standard frame fixed overall dimensions (three-pole, 800–3200 A)**



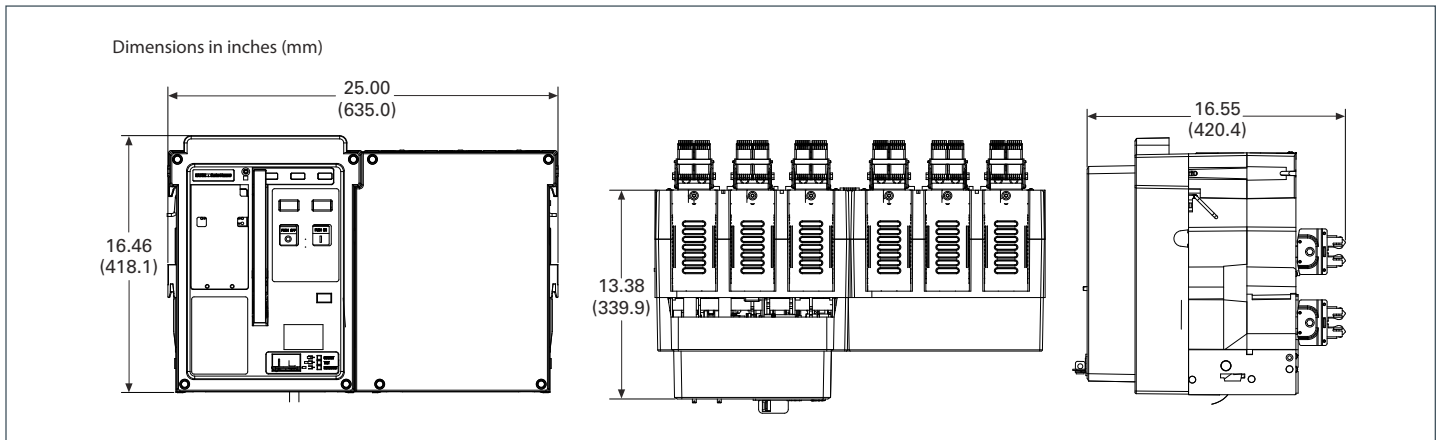
**Standard frame universal cassette overall dimensions (three-pole, 800–3200 A)**



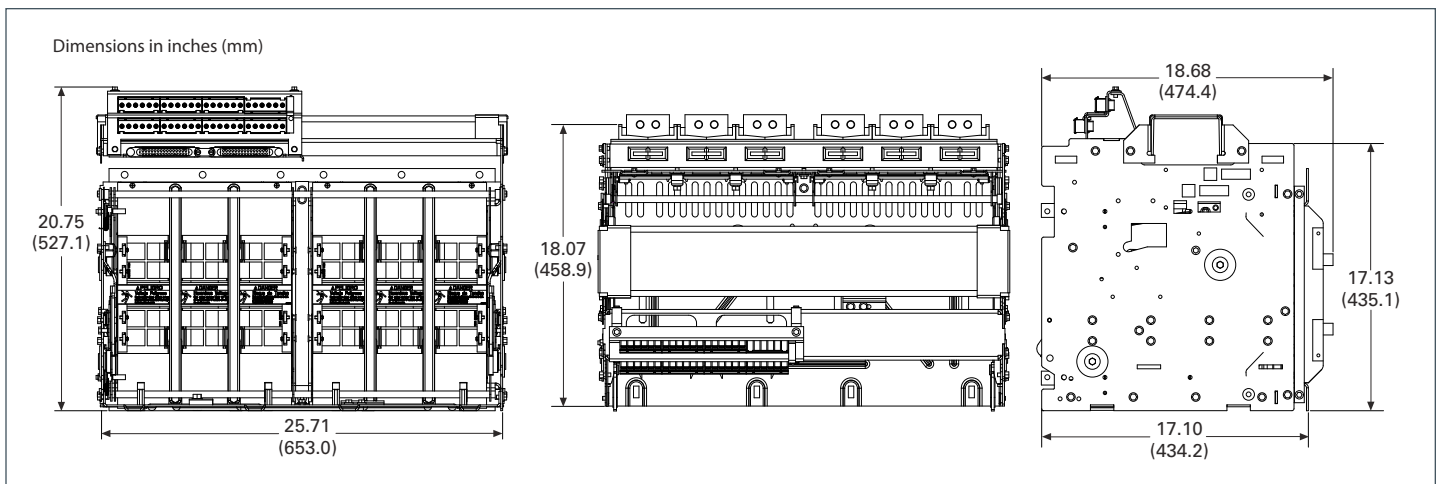
**Double narrow frame fixed overall dimensions (three-pole, 4000–5000 A)**



**Double narrow frame drawout overall dimensions (three-pole, 4000–5000 A)**



**Double narrow frame universal cassette overall dimensions (three-pole, 4000–5000 A)**



**Eaton**  
 1000 Eaton Boulevard  
 Cleveland, OH 44122  
 United States  
 Eaton.com

© 2015 Eaton  
 All Rights Reserved  
 Printed in USA  
 Publication No. PA013001EN / Z17214  
 September 2015

Eaton is a registered trademark.  
 All other trademarks are property  
 of their respective owners.