



5. Model: MS480-1-2



**Features**

- Material: Zinc die-casting body, Zinc plating fixing parts
- Finish: Gray chrome plating
- Panel thickness: 1~8mm
- Remark: cam cutout □10×10

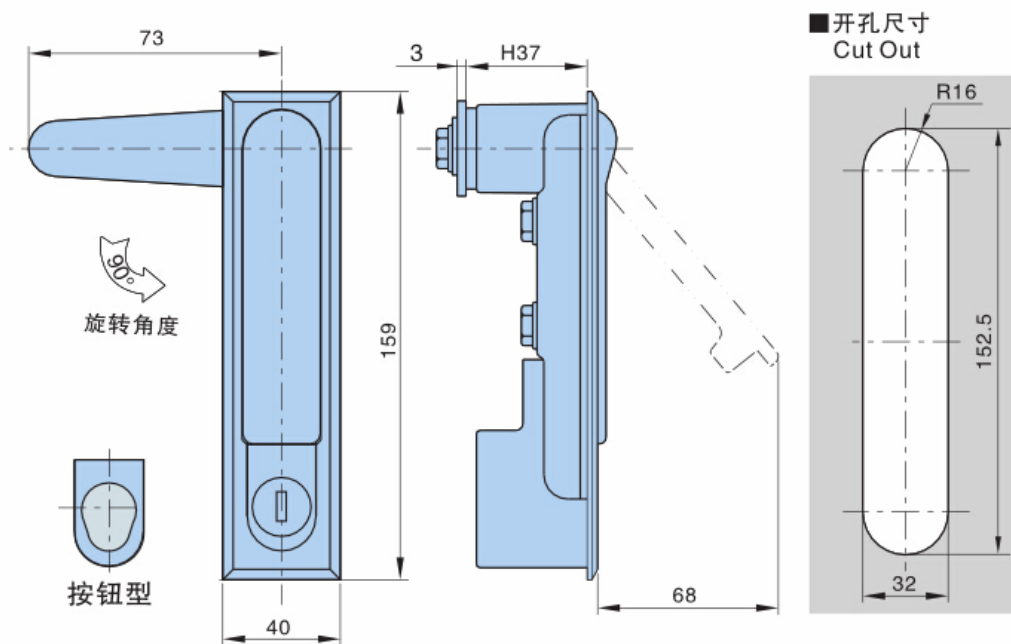
**Material**

- Zinc alloy

**Surface treatment**

- Plastic Spray

**Products Details**



**Specifications**

产品型号及特性 Product Number		产品单重(g) Weight	装箱数 Lot
带锁芯 With key	MS480-1-1	770	50
按钮型 Push button	MS480-1-2	780	50

6. Model: MS-480-2-1

专利产品  
谨防假冒

专利号:

ZL200530043324.5



Features

- Material: Zinc die-casting body and shaft, Zinc plating cam
- Finish: Black powder coated
- Panel thickness: 1~10mm
- Remark: cam cutout  $\square 10 \times 10$

Material

- Zinc alloy

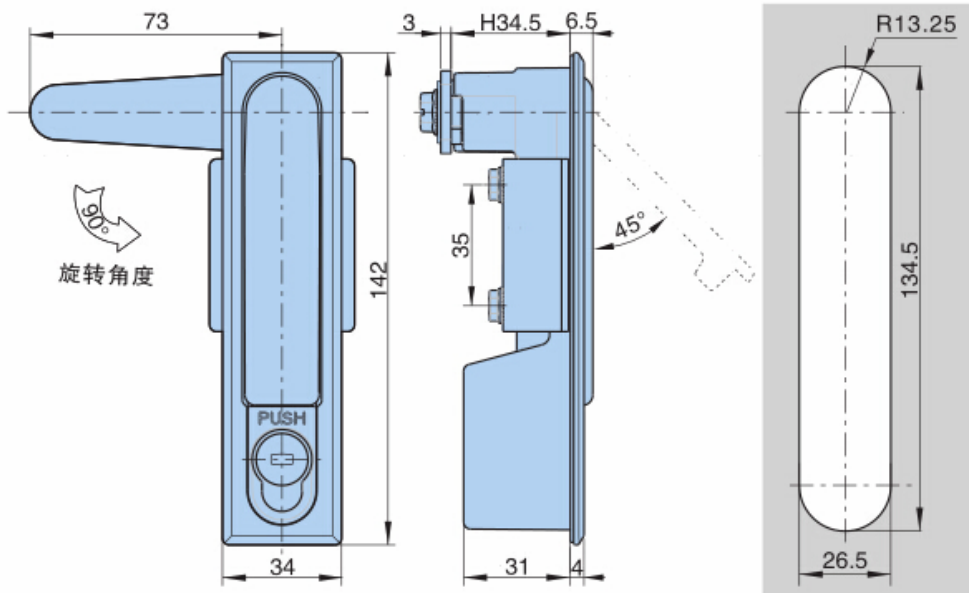
Surface treatment

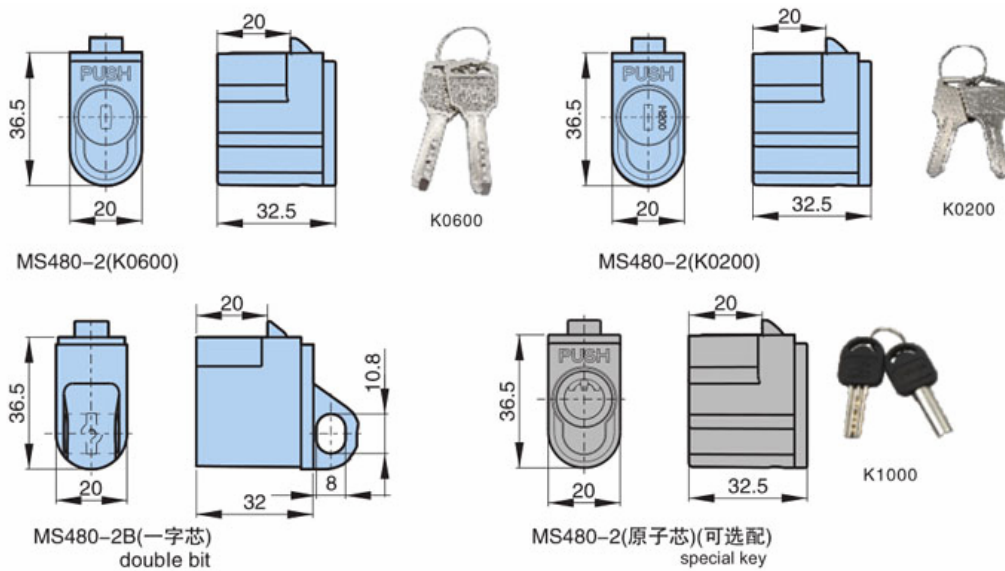
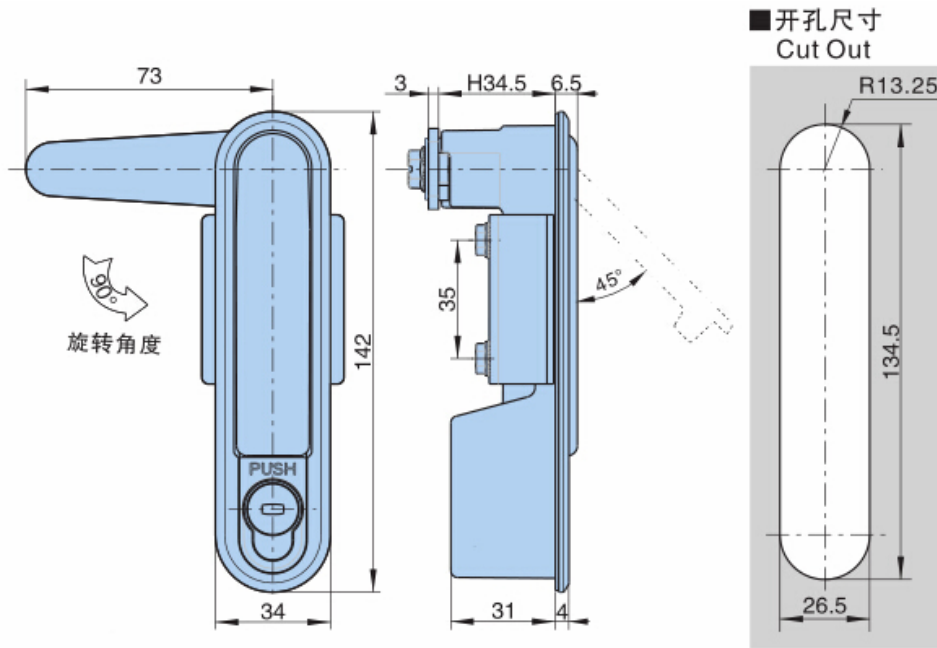
- Plastic Spray

Products Details



■ 开孔尺寸  
Cut Out





## Specifications

表面处理 Finsh	锁芯 Insert	产品型号及特性 Product Number											
		锌合金锁壳 Zinc die-casting housing						铝合金锁壳 Aluminium housing					
		方形锁壳 Square type	产品重量(g) Weight	装锁数 Lot	圆形锁壳 Round type	产品重量(g) Weight	装锁数 Lot	方形锁壳 Square type	产品重量(g) Weight	装锁数 Lot	圆形锁壳 Round type	产品重量(g) Weight	装锁数 Lot
镀沙铬 Gray chrome plating	K0600	MS480-2-1.2	472	50	MS480-2-1Y.2	460	50						
	K0200	MS480-2-2.2	468	50	MS480-2-2Y.2	457	50						
		MS480-2B-1.2	600	50	MS480-2B-1Y.2	600	50						
仿沙铬喷漆 Gray Spray paint	K0600	MS480-2-1.8	472	50	MS480-2-1Y.8	460	50				MS480-2A-1Y.8	348	50
	K0200	MS480-2-2.8	468	50	MS480-2-2Y.8	457	50	MS480-2A-1.8	308	50	MS480-2A-2Y.8	358	50
		MS480-2B-1.8	600	50	MS480-2B-1Y.8	600	50	MS480-2A-2.8	310	50			
哑亚光黑 Black powder coated	K0600	MS480-2-1	472	50	MS480-2-1Y	460	50				MS480-2A-1Y	348	50
	K0200	MS480-2-2	468	50	MS480-2-2Y	457	50	MS480-2A-1	308	50	MS480-2A-2Y	358	50
		MS480-2B-1	465	50	MS480-2B-1Y	600	50	MS480-2A-2	310	50			

7. Model: MS705-1-2 (zinc alloy)  
MS-705-2S-2 (stainless steel)

IP50 RL [图标说明]



**Features**

- Material: Zinc die-casting and stainless steel lock body are available
- Panel thickness: 1~5mm
- 

**Material**

- Zinc alloy
- stainless steel

**Products Details**



MS705-1-1



MS705-2S-3



MS705-1-2



MS705-2S-4



MS705-2S-2



K7010-05



K7030-07



K7040-01



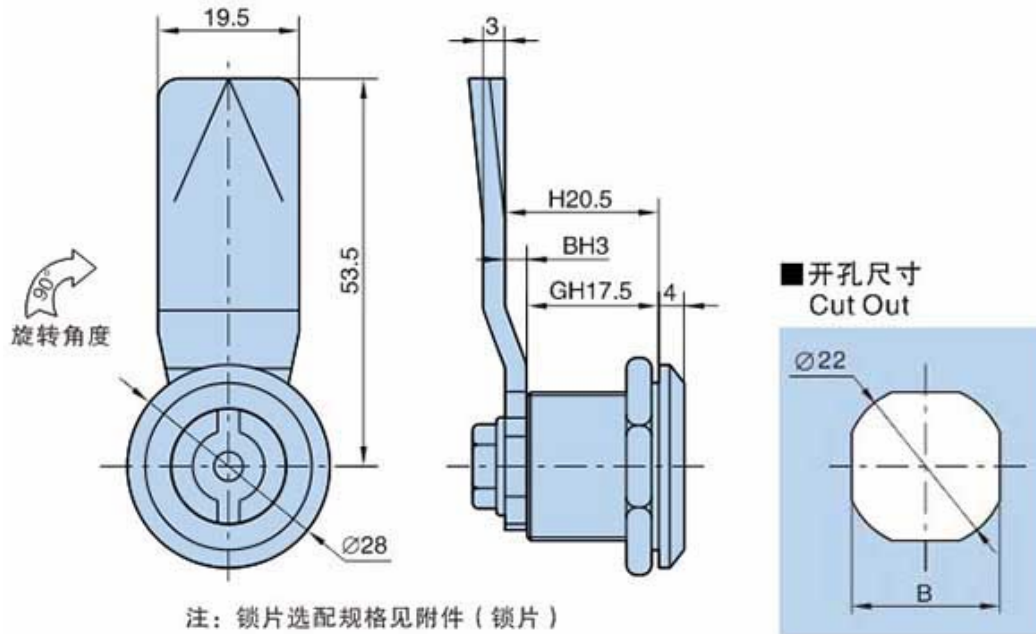
S型芯



四方芯



三角芯



## Specifications

产品型号 Product no.	表面处理 Finish	锁芯形状 Insert	B	产品单重(g) Weight	装箱数 Lot
MS705-1-1.1	镀铬 Chrome plating	直槽芯 slot insert	20	80	500
MS705-1-2.1		一字芯 double bit insert	20	76	500
MS705-1-3.1		S型芯 S insert	20	72	500
MS705-2-1.1		一字芯 double bit insert	20.5	74.5	500
MS705-2-2.1		三角芯 triangular insert	20.5	77	500
MS705-2-3.1		四方芯 square insert	20.5	74.5	500
MS705-2S-1	不锈钢 Stainless steel	直槽芯 slot insert	20	86	500
MS705-2S-2		一字芯 double bit insert	20	80.5	500
MS705-2S-3		三角芯 triangular insert	20	78	500
MS705-2S-4		四方芯 square insert	20	80.5	500

## 8. Model: HL030-1 and HL030-2



### Features

- Material: Zinc die-casting hinge, stainless steel and nickel plating steel pin are available
- Finish: Bright chrome plating
- Remark: 180° hinge

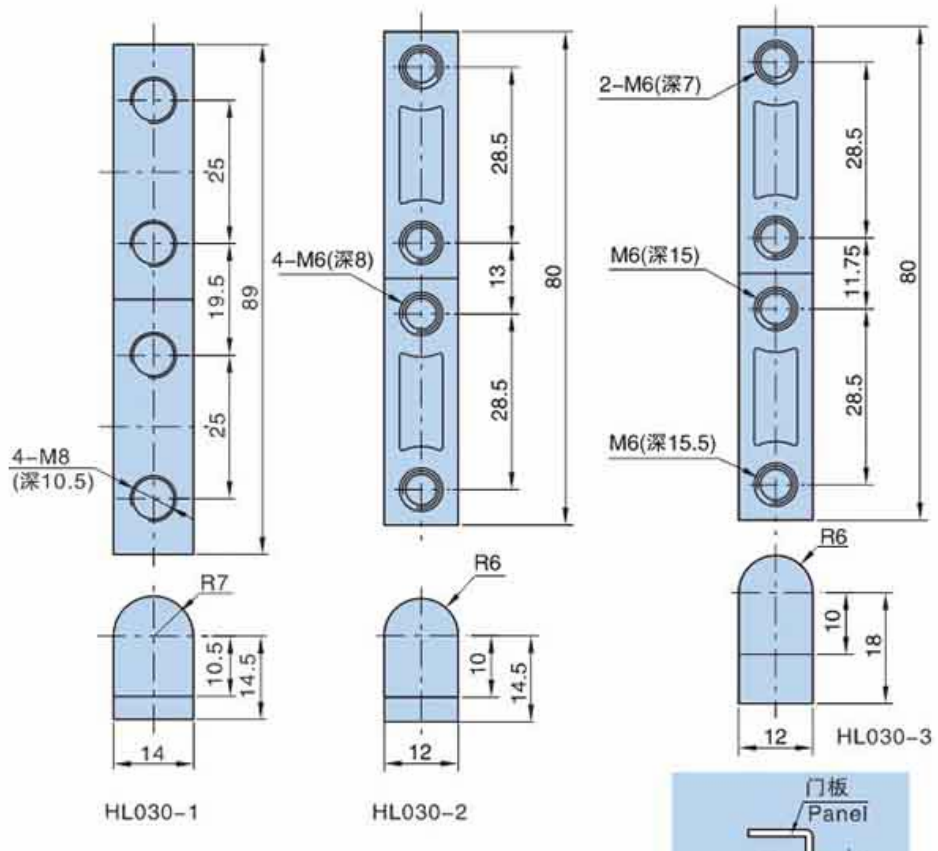
### Material

- Zinc alloy

### Surface treatment

- Electroplate

## Products Details



## Specifications

型号 Product no.	产品单重(g) Weight	装箱数 Lot
HL030-1	163.5	150
HL030-2	155	200
HL030-3	175	200

## 9. Model: MS1003Z

[图标说明]



### Features

- Material: zinc alloy handle, stainless steel housing, cam and screw.
- Finish: matt black for the handle.
- Panel thickness: 1-5mm.
- Remark: 8\*8 cut out

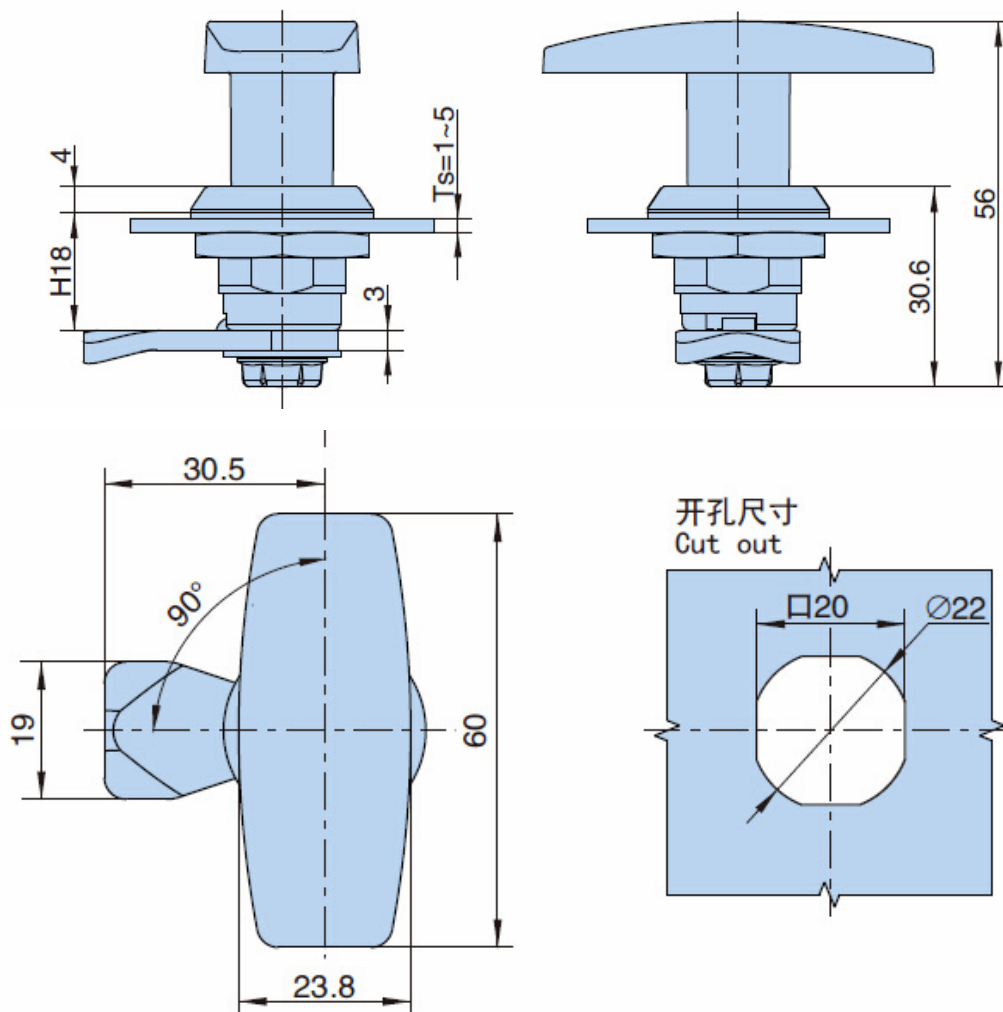
### Material

- Zinc alloy

### Surface treatment

- Plastic Spray

## Products Details





## Specifications

型号 Product no.	产品单重(g) Weight	装箱数 Lot
MS1003Z-1-1	136.3	160

10.Model: MS408-1-2



### Features

- Material: Zinc die-casting body , Nut, Zinc plating cam
- Finish: Black powder coated
- Panel thickness: 1~6mm
- 

### Material

- Zinc alloy

### Surface treatment

- Plastic Spray

## Products Details



MS408-1-1



MS408-2-1



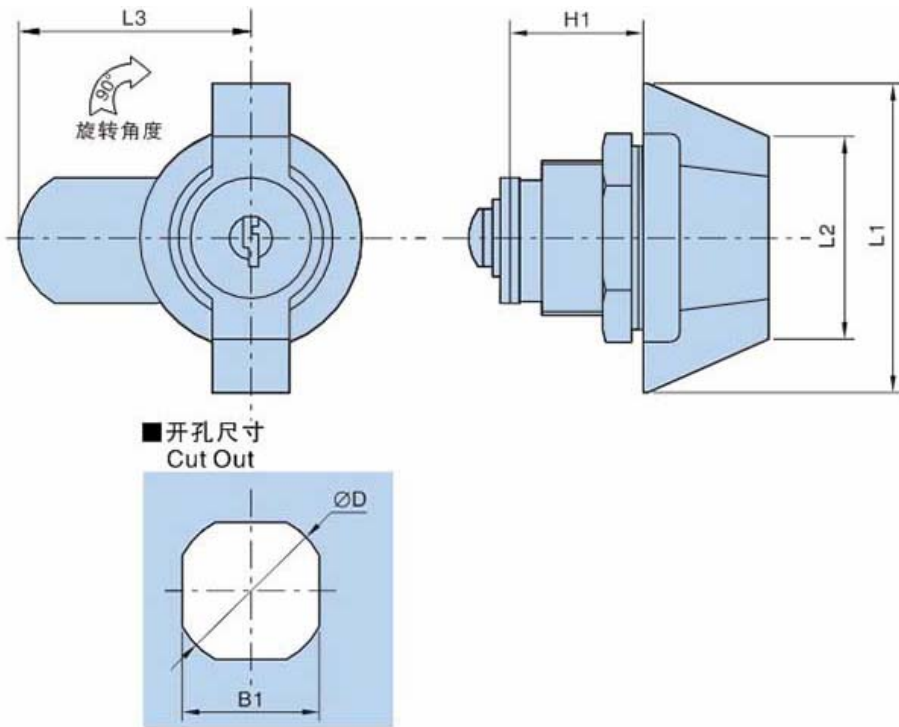
MS408-3-1



MS408-1-2 front



MS408-1-2 back



## Specifications

基本尺寸 Dimensions				产品型号及特性 Product Number										
L1	L2	L3	B1	H1	$\varnothing D$	有锁芯	产品重量(g) Weight	装箱数 Lot	无锁芯	产品重量(g) Weight	装箱数 Lot	特制型	产品重量(g) Weight	装箱数 Lot
50	32.5	50	20	26.7	22	MS408-1-1	153	200	MS408-1-2	150	200	MS408-1-1T (锁片带定位点型)	150	200
34	28	29	16.5	24.5	18.5	MS408-2-1	74	300						
32	21	24	14.2	14	16	MS408-3-1	47	500				MS408-3-1T (手柄更改)	65	500

## 11. Model: PL019-2



[图标说明]

### Features

- Material:A3
- Finish:Bright chrome plating

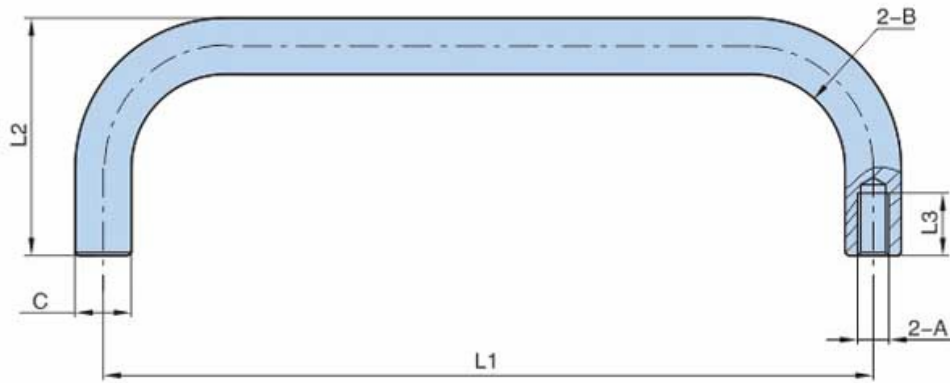
### Material

- A3

### Surface treatment

- Electroplate

## Products Details



■ 开孔尺寸  
Cut out



## Specifications

型号 Product no.	基本尺寸 Dimensions							产品单重(g) Weight	装箱数 Lot
	L1	L2	L3	M	R	∅A	∅B		
PL019-1	200	38	10	M5	R15	∅9	∅5.5	120	200
PL019-1A	150	55	10	M5	R15	∅9	∅5.5	110	200
PL019-2	100	38	10	M5	R6	∅9	∅5.5	72	200
PL019-2(不锈钢)	100	38	10	M5	R6	∅9	∅5.5	75	200
PL019-3	76	30	12	M4	R6	∅8	∅4.5	19	400
PL019-4	90	38	10	M5	R15	∅9	∅5.5	52	400