

KTO 011/KTS 011 (Compact Thermostat)



Characteristic Parameters

- Large setting range ;
- Small size;
- Simple to mount;
- High switching performance.
- KTO 011: thermostat (normally closed); contact breaker for regulating heaters.
- KTS 011: thermostat (normally open); contact maker for regulating of filter fans and heat exchangers or for switching signal devised when temperature limit has been exceeded.

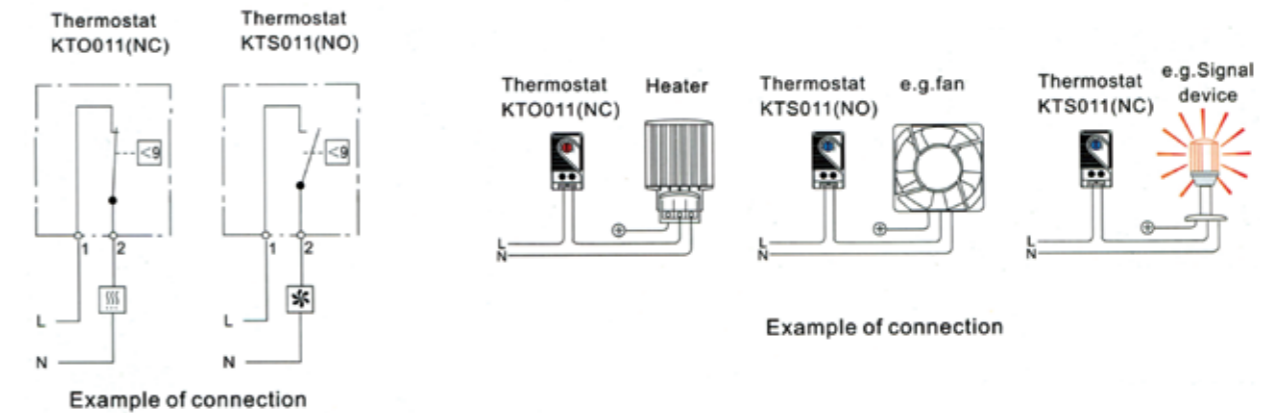
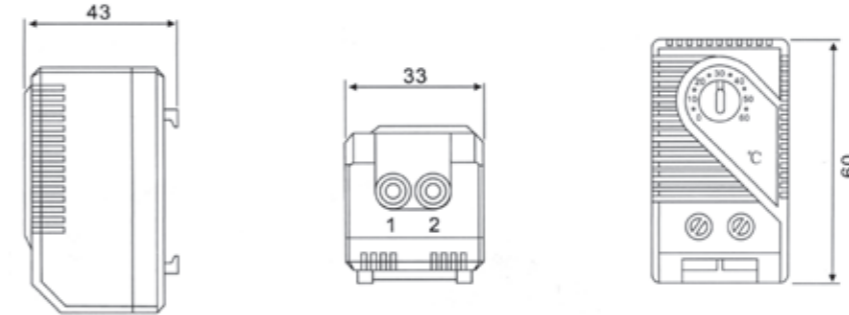
Technical Data

Switch temperature difference	7K (± 4K tolerance)
Sensor element	Thermostatic bimetal
Contact type	Snap-action contact
Contact resistance	<10mΩ
Service life	> 100,000 cycles
Max. Switching capacity	250VAC, 10(2)A 120CAC, 15(2)A DC 30W
EMC	Acc. To EN 55014-1-2, EN61000-3-2, EN61000-3-3
Connection	2-pole terminal, clamping torque 0.5Nm max.: Rigid wire 2.5mm ² Stranded wire (with wire end ferrule) 1 .55mm ²
Mounting	Clip for 35mm DIN rail, En50022 (or for exit filter EF 118 Series)
Casing	plastic according to UL94-HB, black
Dimensions	60 × 33 × 43mm
Weight	Approx. 40g
Fitting position	Variable
Operating/Storage temperature	-45 to +80°C (-49 to +176° F)
Protection type	IP20

KTO 011/KTS 011 (Compact Thermostat)



Overall Dimension



Setting tange	Art.No. Contact breaker (NC)	Art.No. Contact Maker (NO)
0 to + 60°C	01140.0-00	01141.0-00
-10 to + 50°C	01142.0-00	01143.0-00
+20 to + 60°C	01159.0-00	01158.0-00
+30 to+140° F	01140.9-00	01141.9-00
+14 to+122° F	01142.9-00	01143.9-00
0 to + 60°C	01146.9-00	01147.9-00