

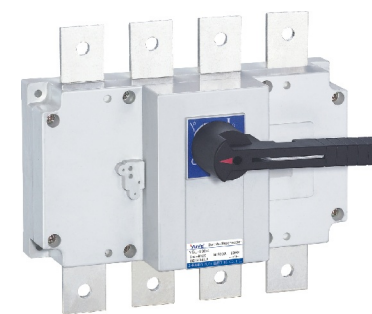
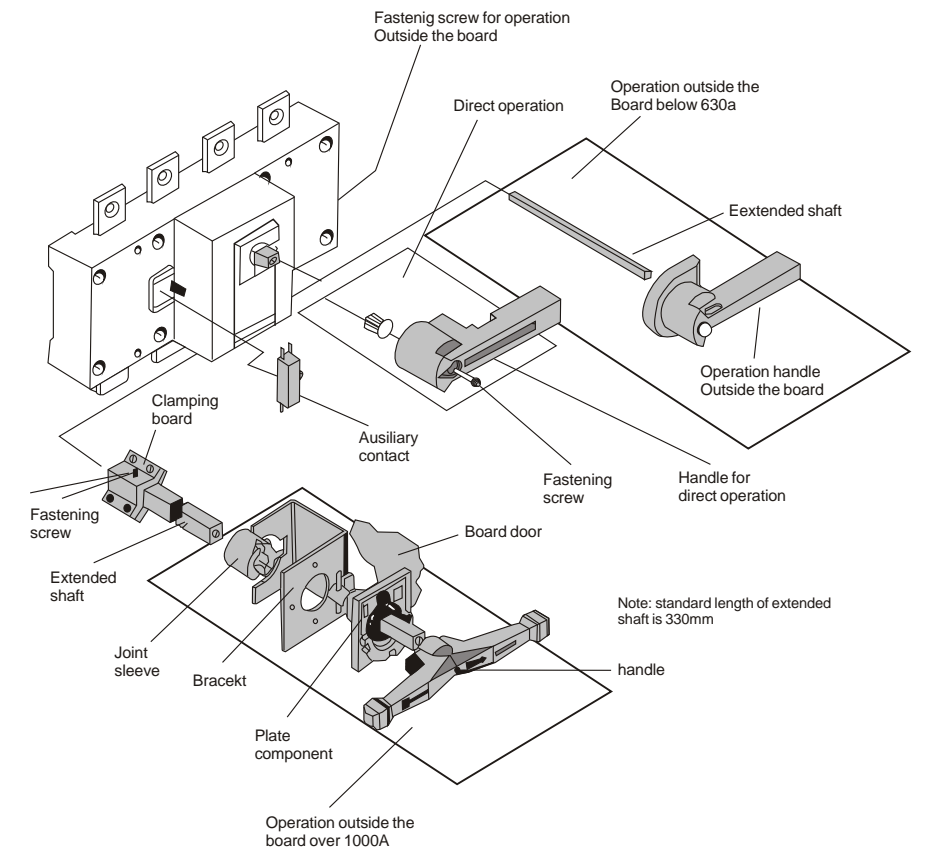
General

YGL series Load isolation switch can be divided into 18 specs from 125A to 4000A, it is the basic type of module design, it has three poles and four poles (three poles + switch neutral pole), applied to make and break circuit or electric isolate, over 1000A is only for electric isolation.

Symbol window on front face indicates the contact on-off state.

Operation mode

- Direct operation: The handle is installed in the middle of switch directly.
- Operate outside of cabinet: The handle is installed outside of distribution cabinet.
- It can be assembled two groups auxiliary contacts.



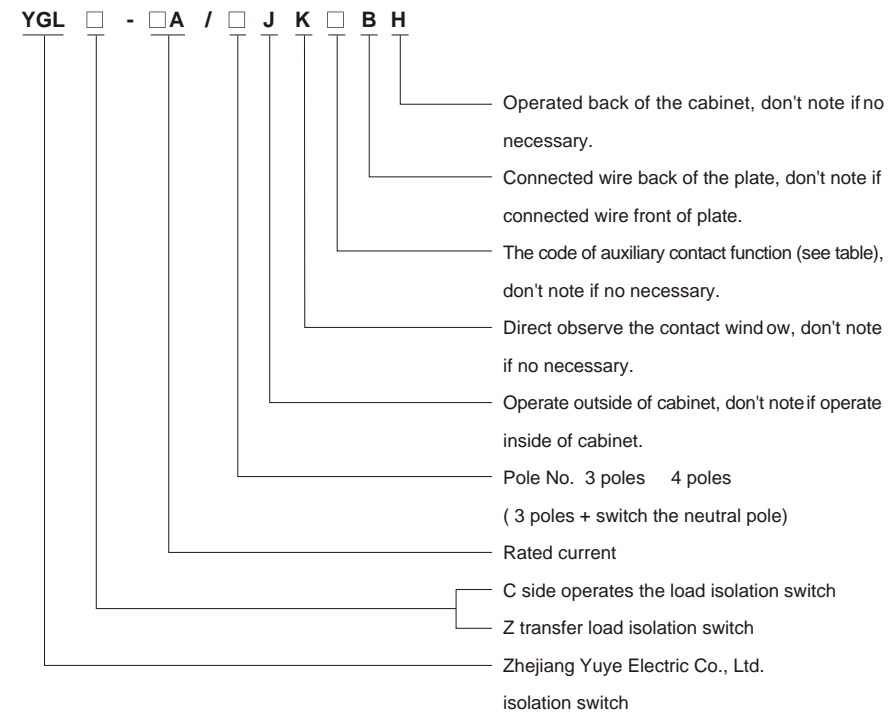


Application

AC 50Hz, rated voltage 660V, DC rated voltage 440V, rated current 1600A. It is used for making and breaking circuit infrequently.



Model and meaning



One NO and one NC	11	NO+NC
Two NO and Two NC	22	2NO+2NC

Example for lecto type: Rated current 630A, include neutral pole transferring bad isolation switch, YGLZ-630A/4J for operating outside of cabinet

Service environment

- YGL load-isolation switch can operate under the following conditions
 - Altitude not more than 2000m;
 - The range of ambient temperature is from 5°C to 40°C;
 - Relative humidity not more than 95%;
 - The environment without any explosive medium.
 - The environment without any rain or snow attacking.
- Note: If the product is expected to be used in the environment where temperature is over +40 °C or below -5°C~-45°C, user's shall tell it to the manufacturer.



YGL-63~3150A Electrical Properties and Mechanical Properties

Conventional heating current (Ith A)	40A	63A	80A	100A	125A	160A	200A	250A	315A	400A	500A	630A	1000A	1250A	1600A	2000A	2500A	3150A		
Rated insulation voltage (Ui V)	40	63	80	100	750	750	750	750	1000	1000	1000	1000	1000	1000	1000	1000	1000	1000		
Dielectric strength (V)	5000	5000	5000	5000	5000	5000	5000	5000	8000	8000	8000	8000	10000	10000	10000	10000	10000	10000		
Rated impaction withstand voltage Uimp KV (Installation sort IV)	6	6	6	6	8	8	8	8	12	12	12	12	12	12	12	12	12	12		
Rated working current Ie(A)	400V	AC21B	40	63	80	100	125	160	200	250	315	400	500	630	1000	1250	1600	2000	2500	3150
		AC22B	40	63	80	100	125	160	200	250	315	400	500	630	1000	1250	1600	2000	2500	2500
		AC23B	40	63	80	100	125	160	200	250	315	340	425	500	800	1000	1250	1250	1250	1250
	750V	DC21	40	63	80	100	125	160	160	200	315	400	400	500	1000	1000	1600	2000	2500	3150
		DC22	40	63	80	100	125	160	160	160	315	315	315	315	800	800	800	2000	2000	2000
	220V	DC23	20	20	40	50	80	80	100	125	125	125	125	400	400	500	1000	1000	1000	1000
		AC21B	40	63	80	100	125	160	200	250	315	400	500	630						
		AC22B	40	63	80	100	125	160	200	250	315	400	400	500						
	440V	AC23B	35	50	65	80	125	125	160	200										
		DC21	35	50	65	80	100	125	160	200	315	400	400	500						
		DC22	35	50	65	80	100	125	160	200	315	400	400	500						
	Motor power P(KW)	400V	25	35	45	55	63	80	100	132	160	220	280	315	560	560	560	710	710	710
750V		20	30	40	45	75	75	90	110	185	185	185	185	475	475	475	750	750	750	
Overload capacity																				
Rated short-time withstand current Icw(KA Rms)0.1S/1.0S		0.756	0.756	1.2	1.2	20/10	20/10	30/12	30/12	45/20	45/20	50/25	50/25	90/50	90/50	90/50	90/50	90/50	90/50	
Making and breaking capacity																				
Rated making capacity Icn (A Rms) AC23B 400V		400	630	800	1000	1250	1250	2000	2000	3150	4000	4000	4000	10000	10000	10000	10000	10000	10000	
Rated breaking capacity Icm (A Rms) AC23B 400V		320	504	640	800	1000	1000	1600	1600	2500	3200	3200	3200	8000	8000	8000	8000	8000	8000	
Rated short-circuit making capacity Icm (KA peak value)		1.066	1.066	1.7	1.7	12	12	17	17	30	30	40	40	70	70	70	70	70	70	
Mechanical life (rotation operation time)		10000	10000	10000	10000	10000	10000	10000	10000	5500	5500	5500	5500	4000	4000	3000	2500	2500	2500	
Electrical life (rotation operation time)																				
Rated voltage Ue=750V	COS φ=0.95 AC21B	3000	3000	3000	3000	1500	1500	1500	1500	750	750	750	750	600	600	450	400	400	350	
	COS φ=0.65 AC22B	2000	2000	2000	2000	1000	1000	1000	1000	500	500	500	500	400	400	300	200	200	200	
	COS φ=0.35 AC23B	1000	1000	1000	1000	500	500	500	500	250	250	250	250	200	200	150	100	100	100	
Operation moment (Nm)		2.5	2.5	4	6.5	4	6.5	10	10	14.5	14.5	14.5	14.5	27	27	27	60	60	60	
Weight (Kg)	3 poles	0.37	0.37	0.37	0.37	1	1	2	2	3.5	3.5	4	4	10.5	10.5	16	31	31	42	
	4 poles	0.41	0.41	0.41	0.41	1.5	1.5	2.5	2.5	4	4	4.5	4.5	13	13	20	40	40	49	

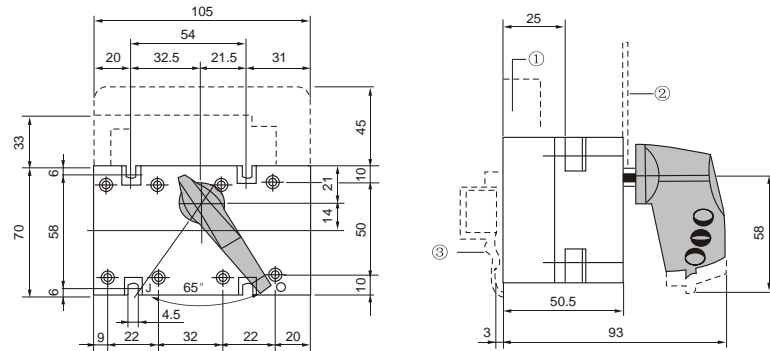
YGL-63~3150A

Series Load-isolation Switch

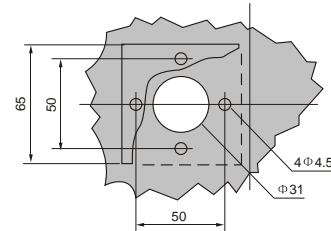


YGL-63~100A Outline and installation dimensions

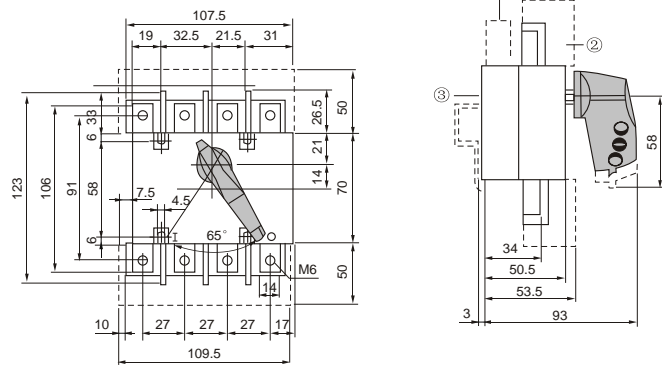
- YGL-40~63A
Front direct operation



Front operation outside the cabinet

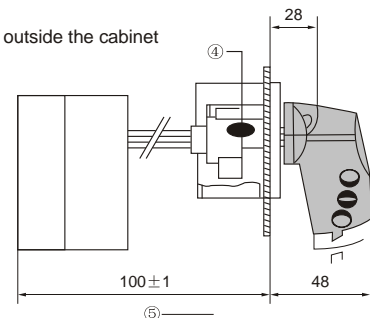


- YGL-80~100A
Front direct operation



- Pre-breaking auxiliary contact
- Terminal barrier
- Clamp for fixing DIN rail

Front operation outside the cabinet



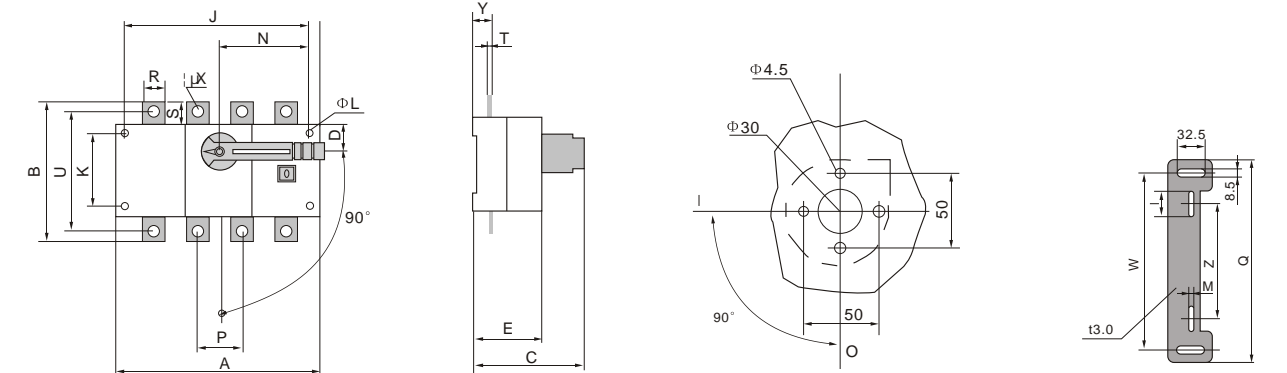
- The width of sliding deadbolt of handle lock is 30mm.
- The min length of extension shaft is 125±1

YGL-63~3150A

Series Load-isolation Switch



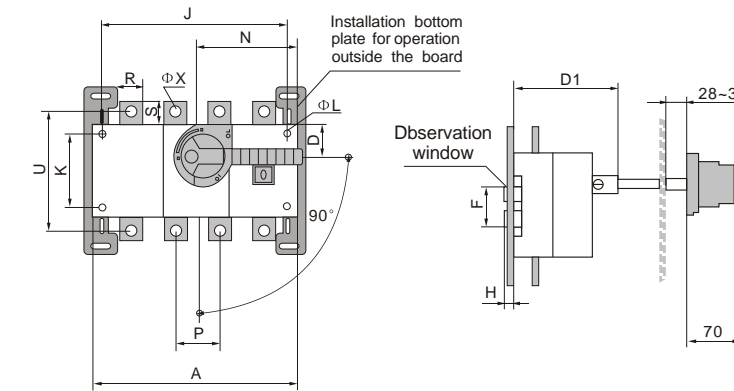
YGL-125~630A Outline and installation dimensions



Direct operation of YGL-125~630A

Installation size of handle seat outside board

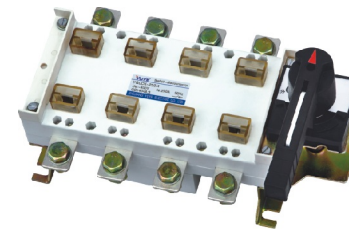
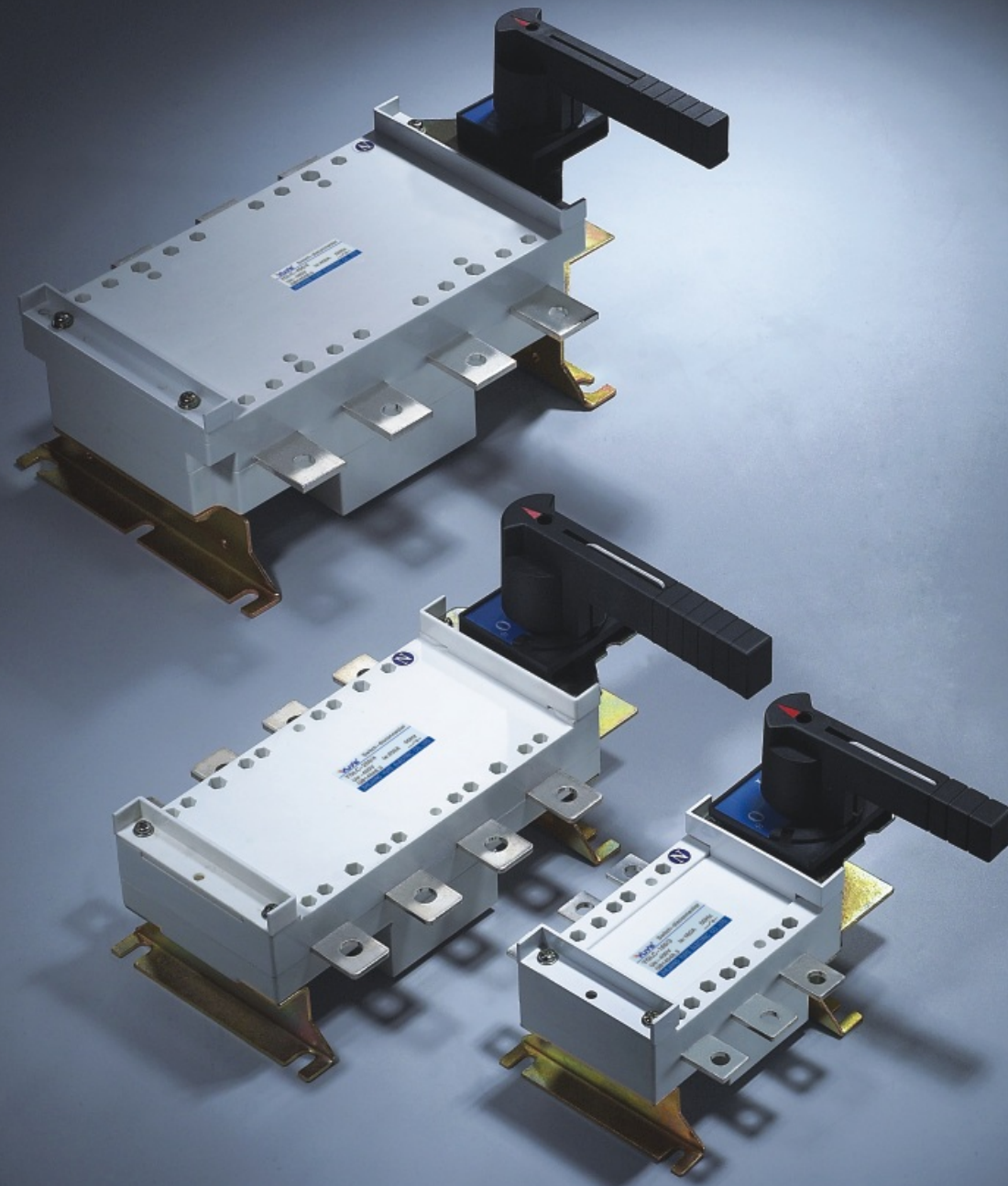
Installation bottom plate for operation outside the board



Operation outside YGL-125~630A/JK board

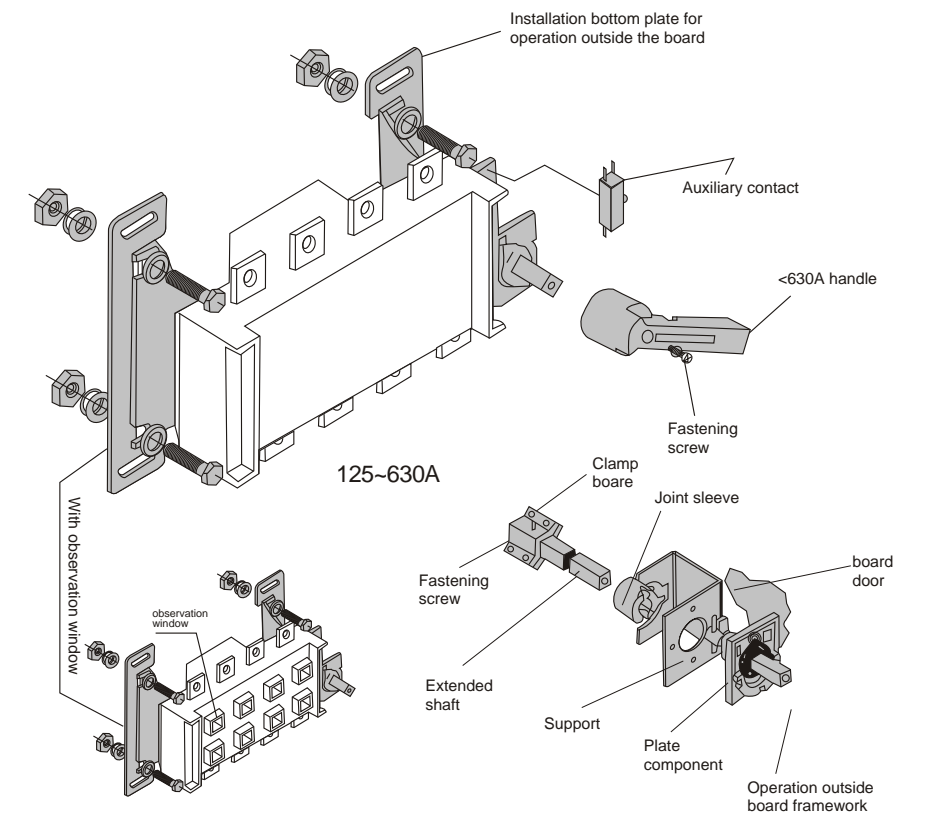
Specification	Dimension of Bottom Board				
	I	M	Z	W	Q
YGL-125A	55	5.5	85	190	218
YGL-160A	55	5.5	85	190	218
YGL-200A	55	5.5	85	190	218
YGL-250A	55	5.5	85	190	218
YGL-315A	60	6.5	130	240	270
YGL-400A	60	6.5	130	240	270
YGL-500A	60	6.5	130	240	270
YGL-630A	60	6.5	130	240	270

Specification	External Dimension and Installation Dimension																		
	A	B	C	D	D1	E	ΦL	J	K	N	P	R	S	T	U	ΦX	Y	F	H
YGL-125A/3	140	135	120	27	93	73	5.5	120	65	85	36	20	25	3	114	10	24	49	10
YGL-125A/4	170	135	120	27	93	73	5.5	150	65	85	36	20	25	3	114	10	24	49	10
YGL-160A/3	140	135	120	27	93	73	5.5	120	65	85	36	20	25	3	114	10	24	49	10
YGL-160A/4	170	135	120	27	93	73	5.5	150	65	85	36	20	25	3	114	10	24	49	10
YGL-200A/3	180	165	140	35	103	86	7	160	90	115	50	25	30	3.5	134	11	27	79	15
YGL-200A/4	230	165	140	35	103	86	7	210	90	115	50	25	30	3.5	134	11	27	79	15
YGL-250A/3	180	165	140	35	103	86	7	160	90	115	50	25	30	3.5	134	11	27	79	15
YGL-250A/4	230	165	140	35	103	86	7	210	90	115	50	25	30	3.5	134	11	27	79	15
YGL-315A/3	230	234	140	50	138	116	7	210	140	145	65	32	38	5	205	11	37	94	20
YGL-315A/4	290	234	140	50	138	116	7	270	140	145	65	32	38	5	205	11	37	94	20
YGL-400A/3	230	234	185	50	138	116	7	210	140	145	65	32	38	5	205	11	37	94	20
YGL-400A/4	290	234	185	50	138	116	7	270	140	145	65	32	38	5	205	11	37	94	20
YGL-500A/3	230	250	185	50	138	116	7	210	140	145	65	40	45	6	215	12.5	38	94	20
YGL-500A/4	290	250	185	50	138	116	7	270	140	145	65	40	45	6	215	12.5	38	94	20
YGL-630A/3	230	250	185	50	138	116	7	210	140	145	65	40	45	6	215	12.5	38	94	20
YGL-630A/4	290	250	185	50	138	116	7	270	140	145	65	40	45	6	215	12.5	38	94	20

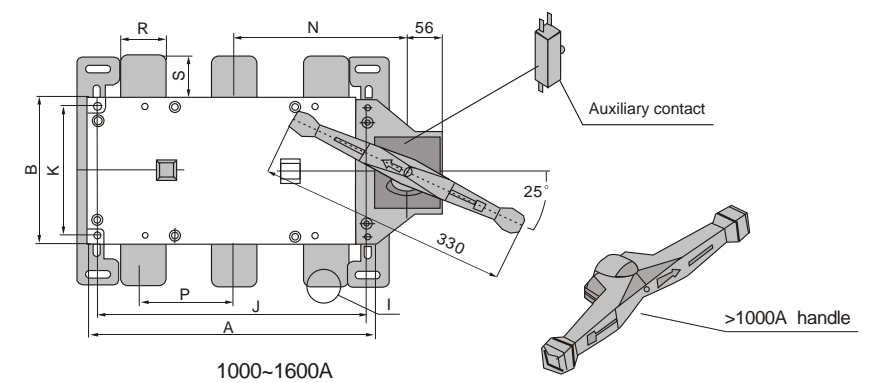


General

- YGLC/CK-125~4000A. The load isolation switch is suitable for the on and off of circuit or electric insulation. The products have three pole, four pole, and (three poles+on and off neural pole).
- Products with observation windows can be provided according to the demand to observe directly the on and off state of contact.
- Direct operation: handle is installed on the right side of switch.
- Operation outside the board: handle is installed outside the door of distributing board.
- Two set of auxiliary contact can be assembled according to the demand.
- Extended shaft is used for the operation outside the board.
- Mechanical property and electric property correspond to the mechanical property and electric property of YGLC/CK-125~3150A.



YGLCK With observation window



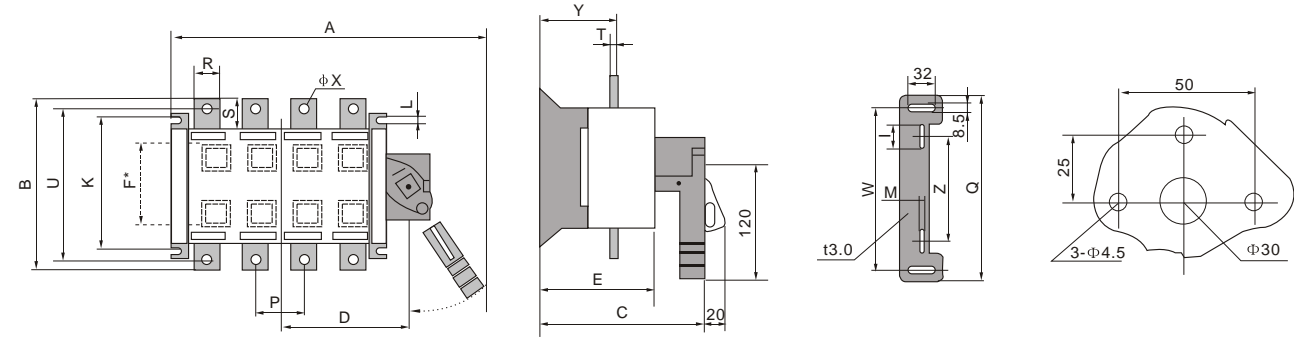
1000~1600A

YGLC/CK-125~4000A

Series Side Operation Load-isolation Switch



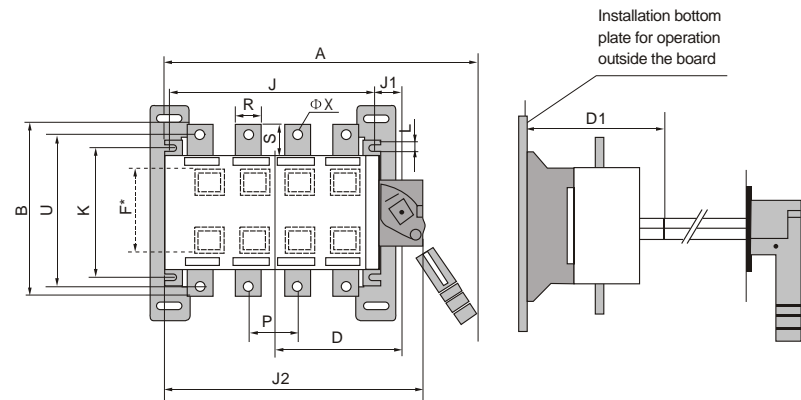
YGLC/CK-125~630A Outline and installation dimensions



YGLC/CK-125~630A Direct operation

Installation bottom plate for operation outside the board

Installation size of handle seat outside board



YGLC/CK-125~630A/JK Operation outside board

Specification	Dimension of Bottom Board				
	I	M	Z	W	Q
YGLC/CK-125A	55	6.5	110	216	244
YGLC/CK-160A	55	6.5	110	216	244
YGLC/CK-200A	55	6.5	110	216	244
YGLC/CK-250A	55	6.5	110	216	244
YGLC/CK-315A	60	8.5	170	280	311
YGLC/CK-400A	60	8.5	170	280	311
YGLC/CK-500A	60	8.5	170	280	311
YGLC/CK-630A	60	8.5	170	280	311

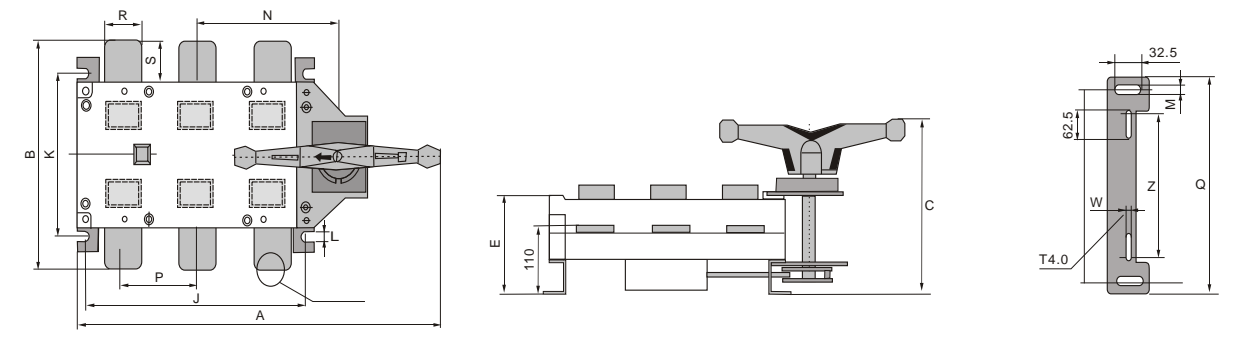
Specification	External Dimension and Installation Dimension																		
	A	B	C	D	D1	E	J	J1	J2	K	P	R	S	T	U	ϕX	Y	L	F
YGLC/CK-125A/3	266	135	148	89	125	89	120	30	195	95	36	20	25	3	115	10	55	7	49
YGLC/CK-125A/4	296	135	148	104	125	89	150	30	225	95	36	20	25	3	115	10	55	7	49
YGLC/CK-160A/3	266	135	148	89	125	89	120	30	195	95	36	20	25	3	115	10	55	7	49
YGLC/CK-160A/4	296	135	148	104	125	89	150	30	225	95	36	20	25	3	115	10	55	7	49
YGLC/CK-200A/3	336	170	167	110	134	100	160	30	235	115	50	25	30	3.5	140	11	65	9	79
YGLC/CK-200A/4	384	170	167	135	134	100	210	30	285	115	50	25	30	3.5	140	11	65	9	79
YGLC/CK-250A/3	336	170	167	110	134	100	160	30	235	115	50	25	30	3.5	140	11	65	9	79
YGLC/CK-250A/4	384	170	167	135	134	100	210	30	285	115	50	25	30	3.5	140	11	65	9	79
YGLC/CK-315A/3	425	240	210	150	163	129	210	44.5	298	180	65	32	40	5	206	11	85	10	94
YGLC/CK-315A/4	480	240	210	180	163	129	270	44.5	358	180	65	32	40	5	206	11	85	10	94
YGLC/CK-400A/3	425	240	210	150	163	129	210	44.5	298	180	65	32	40	5	206	11	85	10	94
YGLC/CK-400A/4	480	240	210	180	163	129	270	44.5	358	180	65	32	40	5	206	11	85	10	94
YGLC/CK-500A/3	425	260	210	150	163	129	210	44.5	298	180	65	40	50	6	220	12.5	85	10	94
YGLC/CK-500A/4	480	260	210	180	163	129	270	44.5	358	180	65	40	50	6	220	12.5	85	10	94
YGLC/CK-630A/3	425	260	210	150	163	129	210	44.5	298	180	65	40	50	6	220	12.5	85	10	94
YGLC/CK-630A/4	480	260	210	180	163	129	270	44.5	358	180	65	40	50	6	220	12.5	85	10	94

YGLC/CK-125~4000A

Series Side Operation Load-isolation Switch

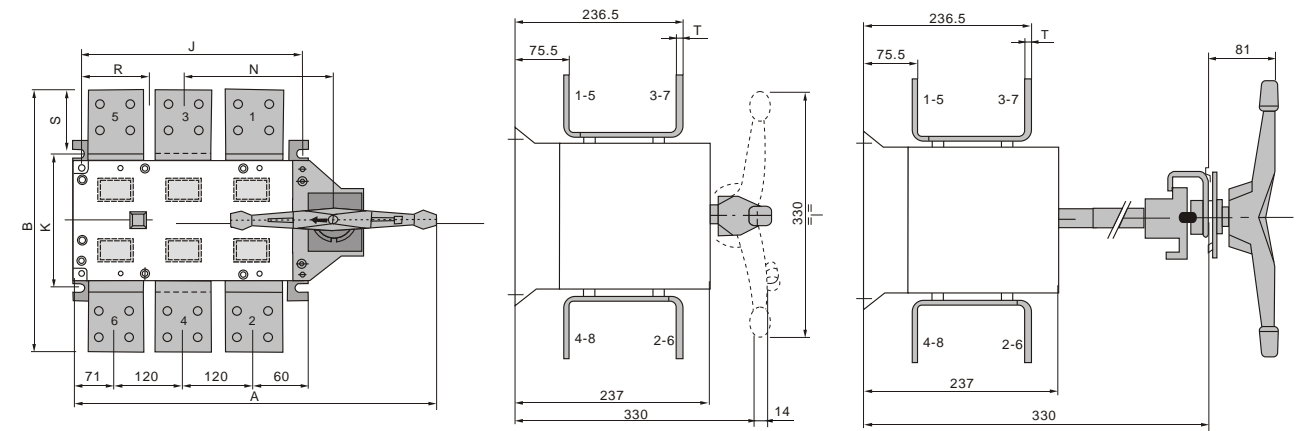


YGLC/CK-1000~4000A Outline and installation dimensions

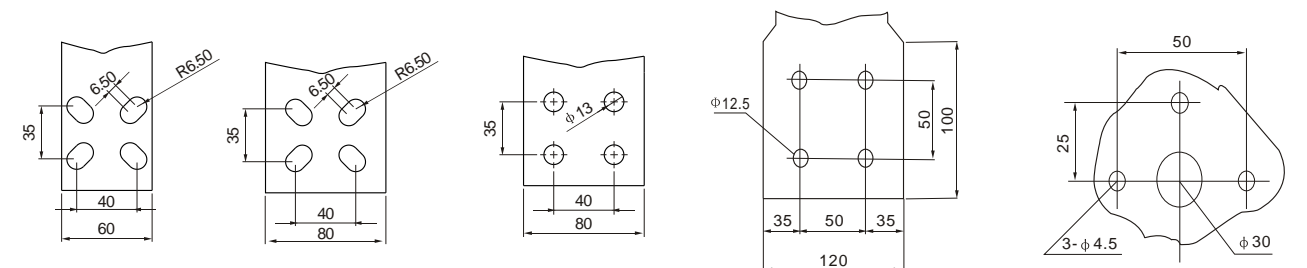


YGLC/CK-1000~1600A/3J

Installation bottom plate for operation outside the board



YGLC/CK-2000~2500A/3



800~1000A

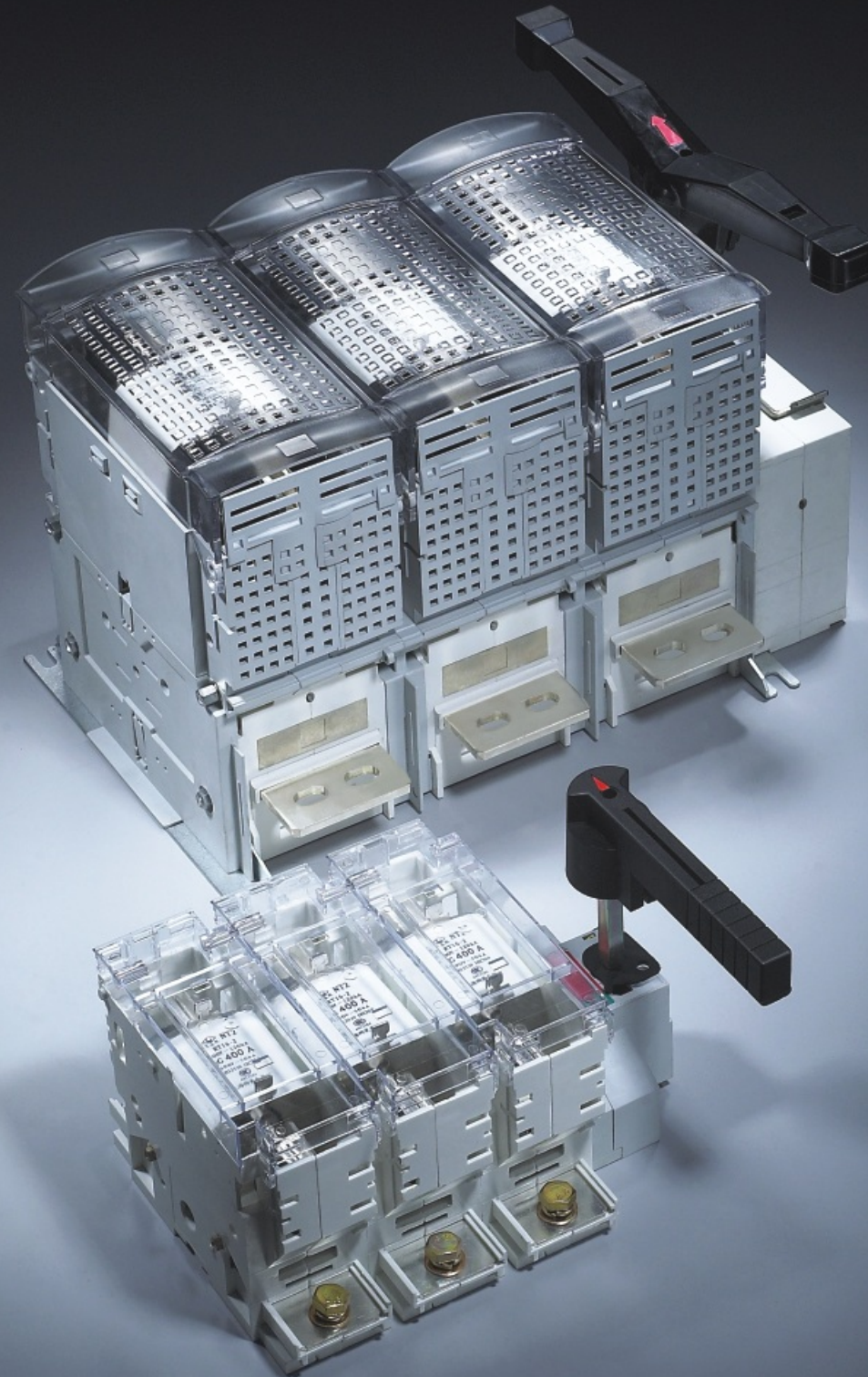
1250~2500A

3150A~4000A

3150~4000A

Installation size of handle seat outside board

Series Fuse Group of Isolation Switch

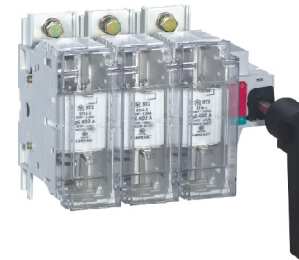


YGLR
Series Fuse Group of Isolation Switch

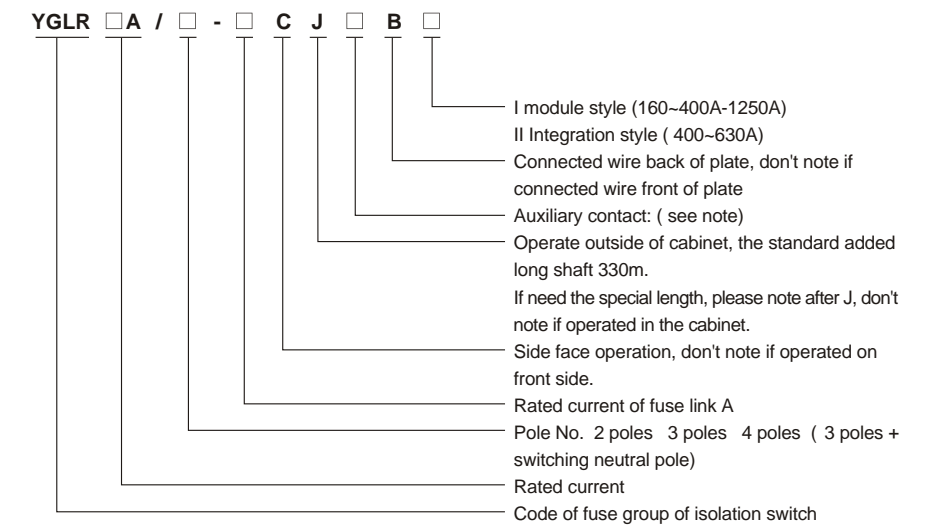


General

- YGLR Series fuse group of isolation switch (hereinafter short for switch) is multi-pole and manual operation switch, whose housing is made of glass fiber reinforced unsaturation polyester, it has merits of high dielectric property, guard capacity and reliable operation.
- The operation mechanism, it is accelerate mechanism of spring energy storage, in instantaneous release, it is also a mechanism that is instantaneous making and breaking multi-breakpoint contact. It is no related with the speed of operation handle, thus, it extremely improves each electric performance and mechanical performance.
- Fuse group of isolation switch can makes sure making and breaking circuit with load, and it has reliable over current or short-circuit breaking protection.
- Obviously saw the breaking state.
- With strong hot and humidity proofing.
- Because the switch owns the merits of graceful appearance, novel, simple, small volume and complete function, it is best selection among the same products .



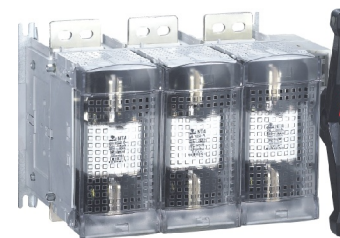
Model description



Note: don't note if the function in the box is not necessary.
 F-NC or NO auxiliary contact,
 S-NO+ NC S type auxiliary contact,
 U- U type auxiliary contact.
 Example for lecto type : rated current 160A, 3 poles,
 side face operation in the cabinet

Mated with the spec of fuse link

Rated current of fuse group of isolation switch A	Rated current of fuse link A	Size of fuse link
63	10、20、30、40、50、63	00C
160	63、80、100、125、160	00
250	160	0
	200、250	1
400	300、315、400	2
630	400、500、630	3
1250	800、1000、1250	4



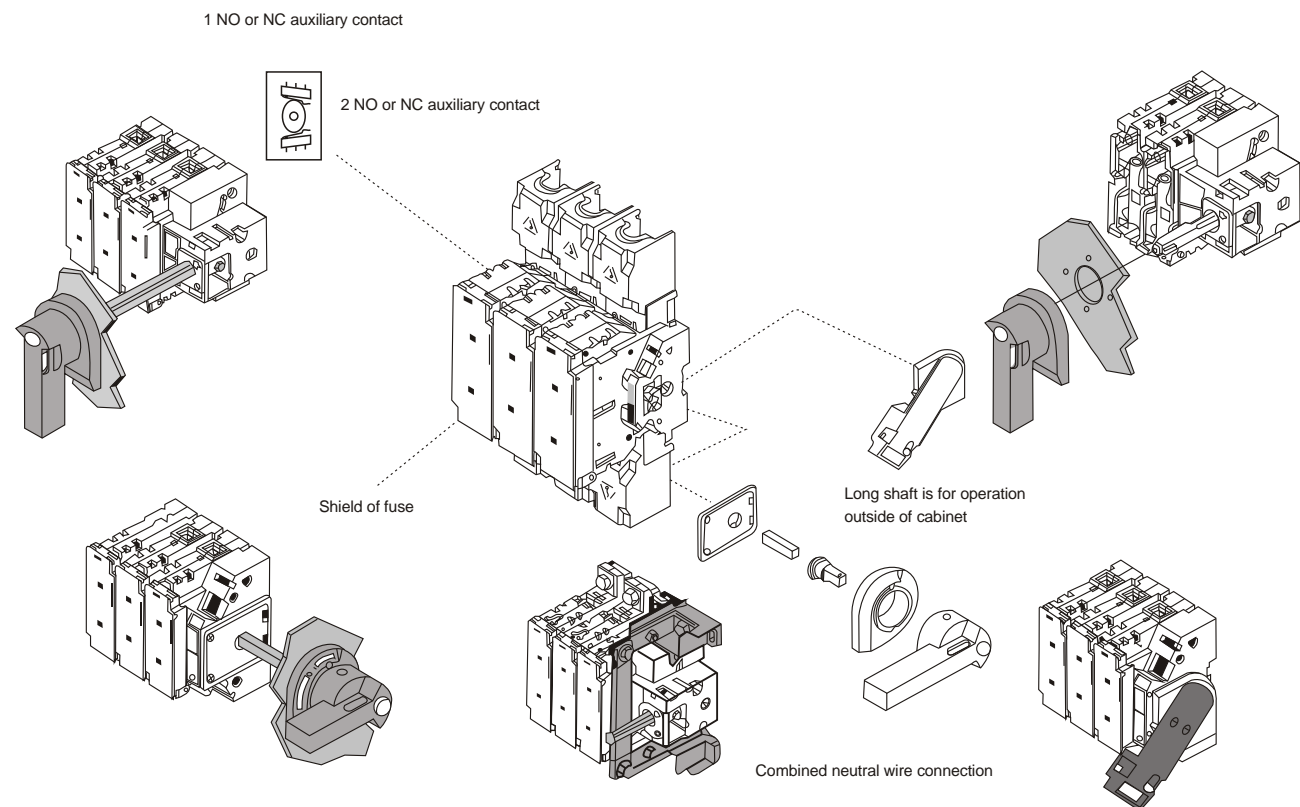


YGLR-63~1250A / I Type Fuse Group of Isolation Switch

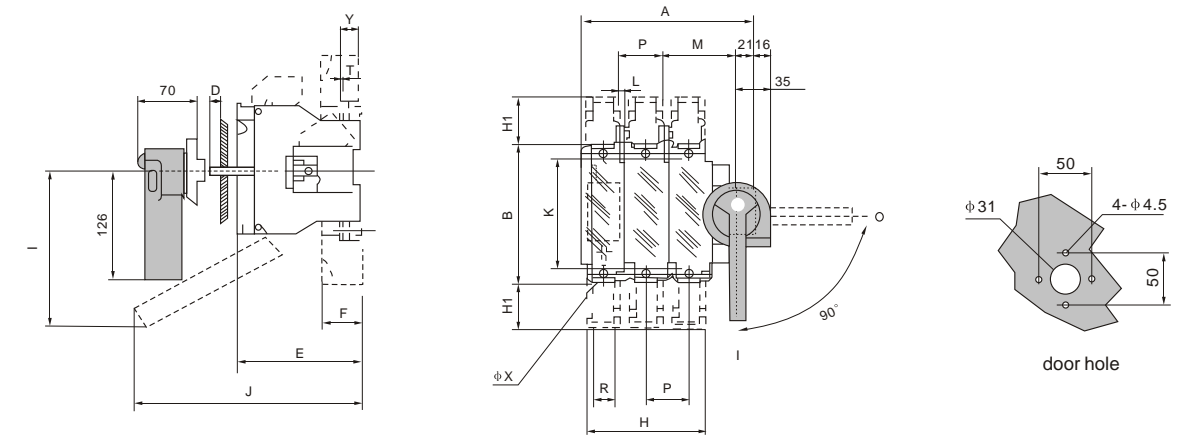
It makes sure making and breaking circuit with load, with reliable over-current and short-circuit breaking protection, also obviously saw the breaking state. Own two poles, three poles, four poles (three poles+ switch neutral pole). The fuser can be divided into 23 specs from 63A to 1250A.

Structure and operation mode

- Direct operation on front face: the handle is installed on the front face of switch.
- Direct operation on side face: the handle is installed on the right of switch (it is noted separately if the handle is installed on the left of switch).
- Front face operation outside of cabinet: the handle is installed on the front face outside of the distribution cabinet door.
- Side face operation outside of cabinet: the handle is installed on the right of distribution cabinet outside. (it is noted separately if the handle is installed on the left)

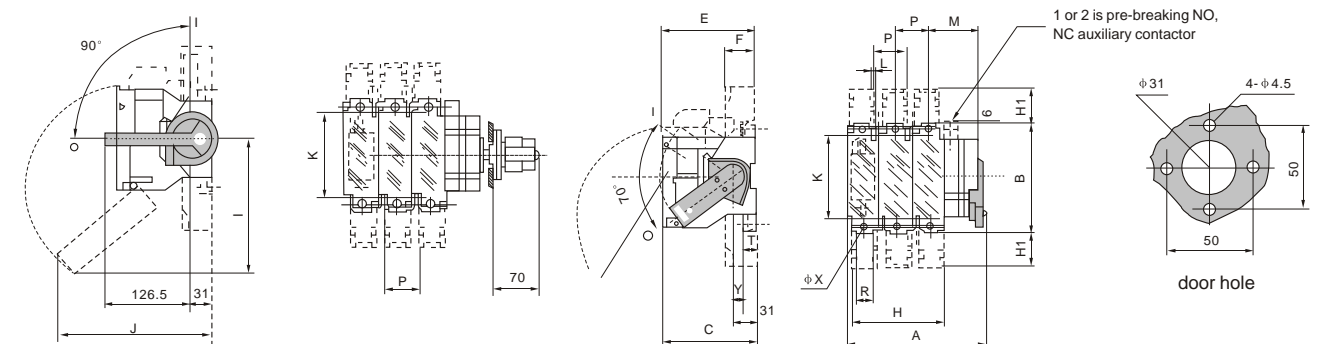


YGLR-63~400A/I Outline and installation dimensions



YGLR63~400A Front face operation outside of cabinet

Specification	Size of fuse	External Dimension and Installation Dimension																
		A	B	D	E	F	H	H1	I	J	K	L	M	P	R	T	φX	Y
YGLR -63A/3	0-00C	152	118	20-30	117				159	145	106	5	62.5	32				
YGLR -63A/4	0-00C	184	118	20-30	117				159	145	106	5	62.5	32				
YGLR -160/3	0-00	164	162	28-30	126	44	108	53	141	189	127	5.4	67	36	20	2.5	8.5	19.5
YGLR -160/4	0-00	200	162	28-30	126	44	144	53	141	189	127	5.4	67	36	20	2.5	8.5	19.5
YGLR -250/3	1	236	195	28-30	146	65	180	75	185	251	162	6.2	90.5	60	32	2.5	11	19.5
YGLR -250/4	1	296	195	28-30	146	65	240	75	185	251	162	6.2	90.5	60	32	2.5	11	19.5
YGLR -400/3	2	278	205	28-30	149	65	192	75	200	260	172	7	121	66	50	3	11	20
YGLR -400/4	2	344	205	28-30	149	65	258	75	200	260	172	7	121	66	50	3	11	20



63~400A side face operation outside of cabinet

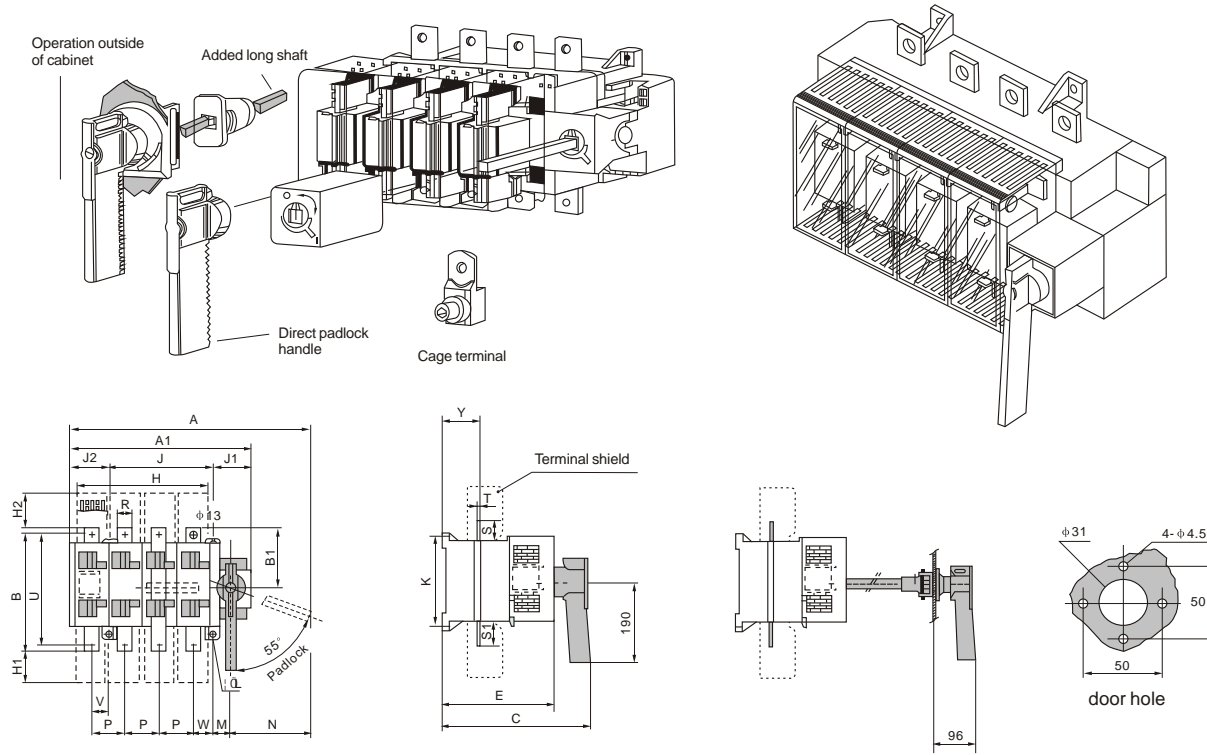
No connection rod prolong

YGLR63~400A sideface operation

Specification	Size of fuse	External Dimension and Installation Dimension																
		A	B	C	E	F	H	H1	I	J	K	L	M	P	R	T	φX	Y
YGLR -63A/3	0-00C	133	118	134	126.5		116.5		159	145	106	5	36	32				
YGLR -63A/4	0-00C	164	118	117	126.5		116.5		159	145	106	5	36	32				
YGLR -160/3	0-00	150	162	173	126.5	44	108	53	141	189	127	5.4	38	36	20	2.5	8.5	19.5
YGLR -160/4	0-00	186	162	173	126.5	44	144	53	141	189	127	5.4	38	36	20	2.5	8.5	19.5
YGLR -250/3	1	253	195	173	146	65	180	75	185	251	162	6.2	81	60	32	2.5	11	19.5
YGLR -250/4	1	313	195	173	146	65	240	75	185	251	162	6.2	81	60	32	2.5	11	19.5
YGLR -400/3	2	271	205	173	149	65	192	75	200	260	172	7	86	66	50	3	11	20
YGLR -400/4	2	337	205	173	149	65	250	75	200	260	172	7	86	66	50	3	11	20



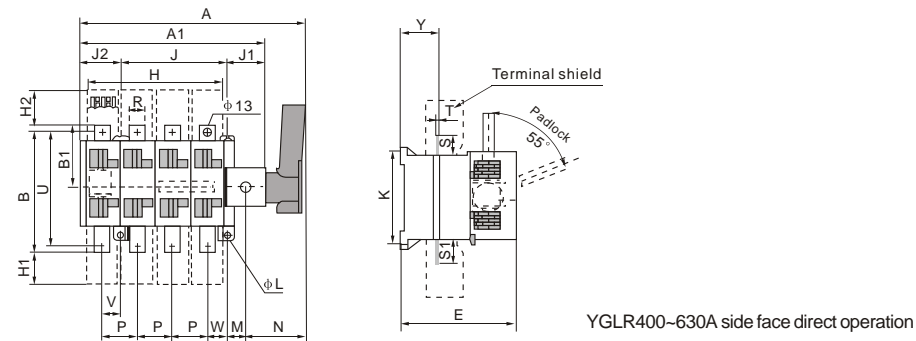
YGLR-400~630A/I Outline and installation dimensions



YGLR400A~630A Direct operation on front face

YGLR400A~630A Operation outside

Specification	Size of fuse	External Dimension and Installation Dimension																								
		A	A1	B	B1	C	E	H	H1	H2	J	J2	J1	K	M	N	P	R	S	S1	T	V	U	W	φL	Y
YGLR -400A/3	2	414	285	238	115	307	221	190	71	79	210	70	65	180	32.5	162	65	32	35	43	5	40.5	208	39.5	7	69
YGLR -400A/4	2	474	345	238	115	307	221	255	71	79	210	70	65	180	32.5	162	65	32	35	43	5	24.5	208	39.5	7	69
YGLR -630A/3	3	470	345	300	150	348	268	235	85	85	250	100	76	250	38.5	162	80	50	50	50	7	45.5	260	44.5	9	74
YGLR -630A/4	3	550	425	300	150	348	268	315	85	85	250	100	76	250	38.5	162	80	50	50	50	7	34.5	260	44.5	9	74



YGLR400~630A side face direct operation

Specification	Size of fuse	External Dimension and Installation Dimension																							
		A	A1	B	B1	E	H	H1	H2	J	J2	J1	K	M	N	P	R	S	S1	T	V	U	W	φL	Y
YGLR -400A/3	2	500	285	238	115	221	190	71	79	210	70	65	180	32.5	119	65	32	30	43	5	40.5	208	39.5	7	69
YGLR -400A/4	2	560	345	238	115	221	255	71	79	210	70	65	180	32.5	119	65	32	30	43	5	24.5	208	39.5	7	69
YGLR -630A/3	3	550	345	300	150	268	235	85	85	250	100	76	250	38.5	119	80	50	50	50	7	45.5	260	44.5	9	74
YGLR -630A/4	3	630	425	300	150	268	315	85	85	250	100	76	250	38.5	119	80	50	50	50	7	34.5	260	44.5	9	74



YGLR-1250A Outline and installation dimensions

