

Specifications

产品型号 Product Number	转角 Rotation angle	L	B	产品单重(g) Weight	装箱数 Lot
MS308-1-1.1	60°	120	36	252.5	100
MS308-1-1L.1	顺时针(CW)90°			245.5	100
MS308-1-1R.1	逆时针(ACW)90°			245.5	100
MS308-2-1.1	60°	102	33	189	100
MS308-2-1L.1	顺时针(CW)90°			195	100
MS308-2-1R.1	逆时针(ACW)90°			195	100

2. Model:HL082 (Material: steel and stainless steel)



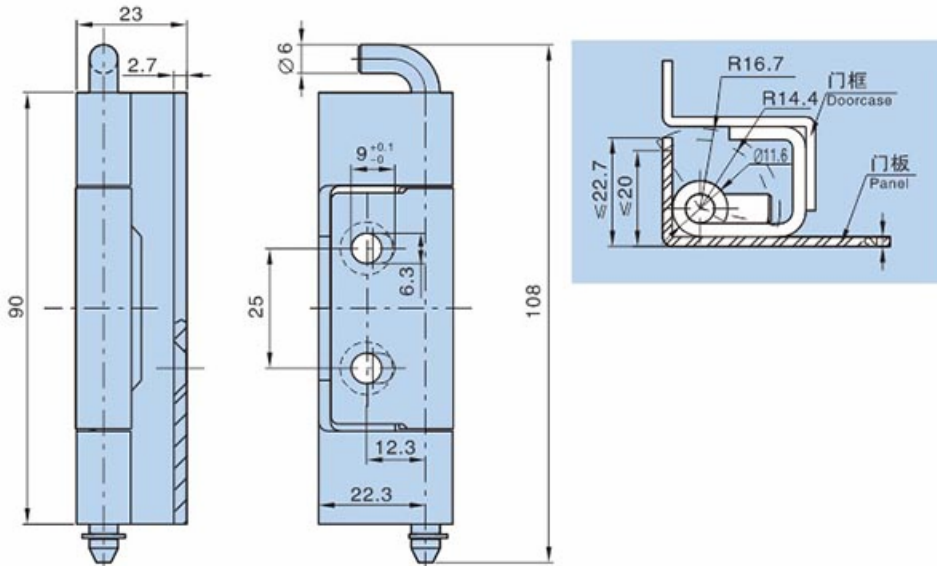
Features

- Material: Zinc plating steel and Stainless steel are available
- Finish: drawing
- Remark: 120°hinge

Material

- A3
- stainless steel

Products Details



Specifications

型号 Product no.	产品单重(g) Weight	装箱数 Lot
HL082	154	200

3.Model: HL004-2.3



Features

- Material: Zinc die-casting hinge stainless steel and nickel plating steel pin are available
- Finish: Bright chrome plating Black powder coated
- Remark: 180°hinge.

Material

- Zinc alloy

Surface treatment

- Plastic Spray
- Electroplate

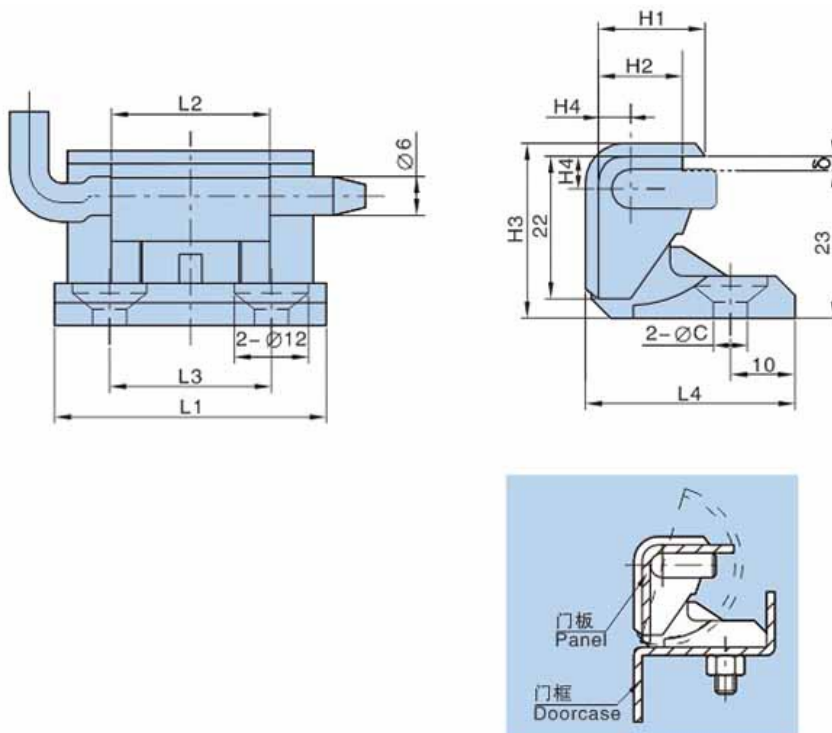
Products Details



HL004-1



HL004-2



Specifications

基本尺寸 Dimensions											产品型号及特性 Product Number			
H1	H2	H3	H4	L1	L2	L3	L4	ØC	δ	喷无光黑 Black powder coated	镀亮铬 Bright chrome plating	产品 单重(g) Weight	装箱数 Lot	
18	15.5	27.5	5.5	52	40	35	33	6.2	2.3	HL004-1.3	HL004-1.1	140	200	
16	13	27	5	42	24.5	25	32.7	5.3	2.2	HL004-2.3	HL004-2.1	135	200	
17.5	14	28	6.2	42	25	25	33	6.2	3.2	HL004-3.3	HL004-3.1	129	200	

4. Model: HL003-2.3



[图标说明]

Features

- Material: Zinc die-casting hinge, stainless steel and nickel plating steel pin are available
- Finish: Bright chrome plating Black powder coated
- Remark: 180°hinge

Material

- Zinc alloy

Surface treatment

- Plastic Spray
- Electroplate

Products Details



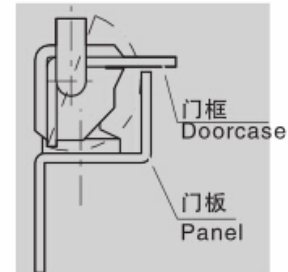
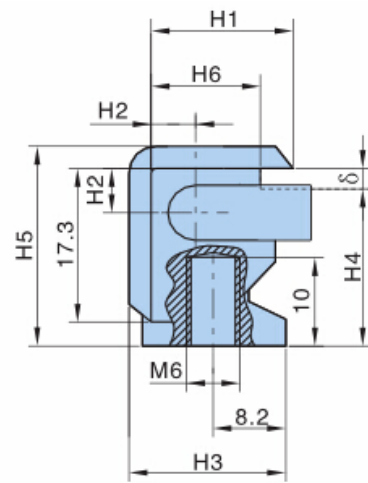
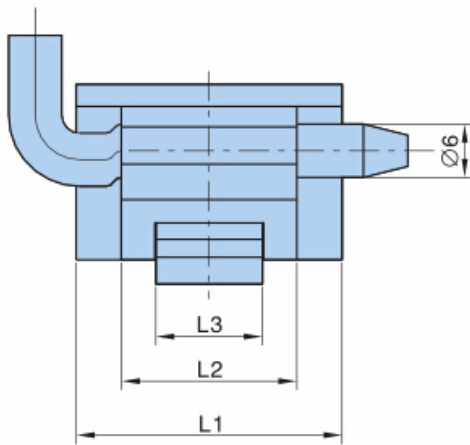
HL003-1



HL003-2



HL003-2S



Specifications

基本尺寸 Dimensions											产品型号及特性 Product Number			
H1	H2	H3	H4	H5	H6	L1	L2	L3	δ	喷无光黑 Black powder coated	镀亮铬 Bright chrome plating	产品 单重(g) Weight	装箱数 Lot	
17.2	5.7	18.5	17.7	23	13	40	26.5	16	2.5	HL003-1.3	HL003-1.1	67	300	
16	5.2	17	16.5	21	12	30	19.5	12	2.3	HL003-2.3	HL003-2.1	44	400	
16	5.2	17	16.5	21	12	30	19.5	12	2.3	不锈钢Stainless steel	HL003-2S	50	400	