

BZM1 SIMPLE - COMPACT - SAFE

Installation Instructions
 Montageanweisung
 Notice d'installation
 Istruzioni per il montaggio

Instrucciones de montaje
 Инструкция по монтажу
 安装说明

BZM1...-BT:
BZM1-XKP

1 BZM1-BT

2 M4 x 60

BZM1:
BZM1-XKP

2-pole: 1 pc. BZM1-XKP
3-pole: 2 pcs. BZM1-XKP
4-pole: 3 pcs. BZM1-XKP

2 M4 x 60

≤40A 2 pieces per pole M6 x 12 (Z2)

≥50A 2 pieces per pole M6 x 12 (Z3)

Pozidrive Z2+Z3 slotted screwdriver (≤3mm)

⚠ Electric Current! Danger to life!
Only skilled or instructed persons may carry out the following operations.

Lebensgefahr durch elektrischen Strom!
Nur Elektrofachkräfte und elektrotechnisch unterwiesene Personen dürfen die im Folgenden beschriebenen Arbeiten ausführen.

Tension électrique dangereuse !
Seules les personnes qualifiées et averties doivent exécuter les travaux ci-après

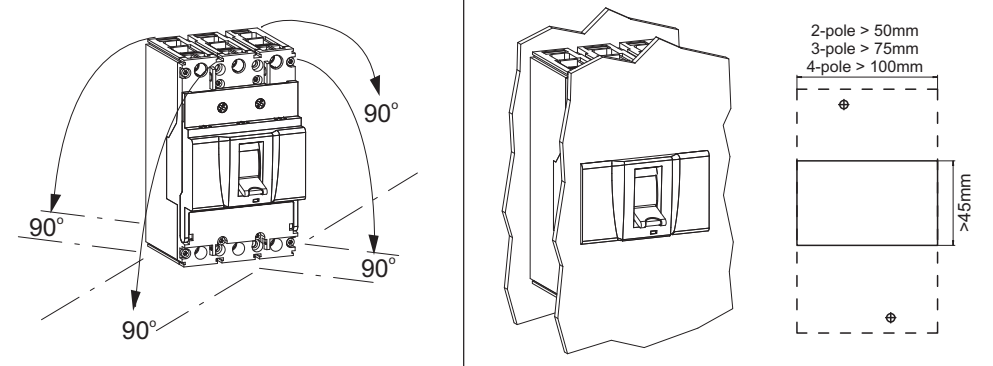
Tensione elettrica: Pericolo di morte !
Solo persone abilitate e qualificate possono eseguire le operazioni di seguito riportate.

¡Corriente eléctrica! ¡Peligro de muerte!
El trabajo a continuación descrito debe ser realizado por personas cualificadas y advertidas.

Электрический ток! Опасно для жизни!
Только специалисты или проинструктированные лица могут выполнять следующие операции.

触电危险!
只允许专业人员和受过专业训练的人员进行下列工作。

SIMPLE: Mounting position as required



SIMPLE: Connection as required

BZM1...-BT:

s 2.5 - 50 mm²

BZM1:

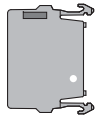
≤40A s 2-10 mm² OR

≥50A

BZM1...-BT:

4Nm / Z2

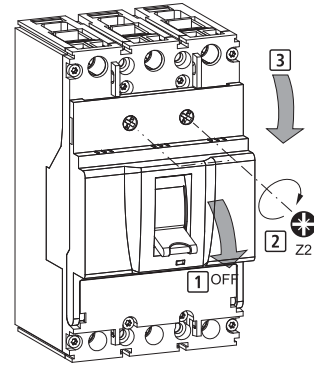
SIMPLE: The installation of the auxiliary contacts



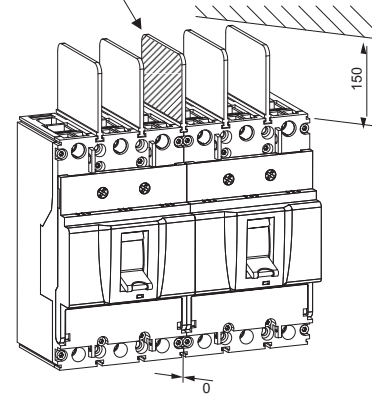
$$I_m = I_e$$

	U_e (V)	I_e (A)
AC-15	115	4
	230	4
	400	2
DC-13	500	1
	24	3
	42	1.7
	60	1.8
	110	0.8
	220	0.3

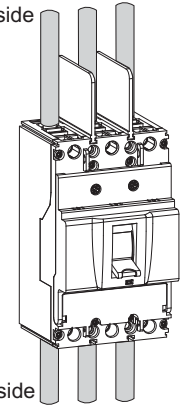
1
Montage
Mounting
Montaggio
Montaje
Монтаж
安裝



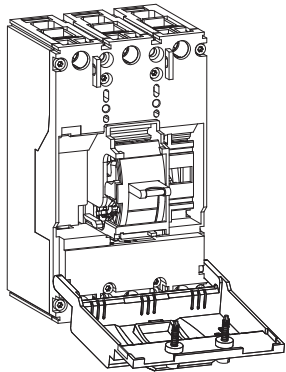
Additional BZM1-XKP required!



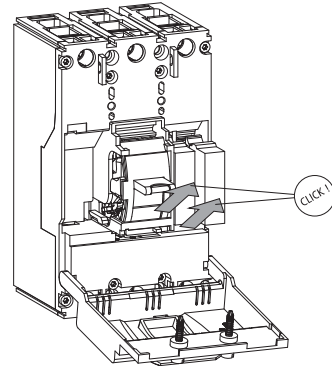
SIMPLE: Connection as required
Load/Line side



2

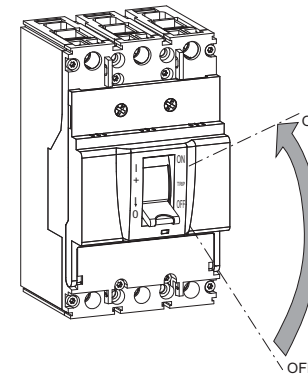


3

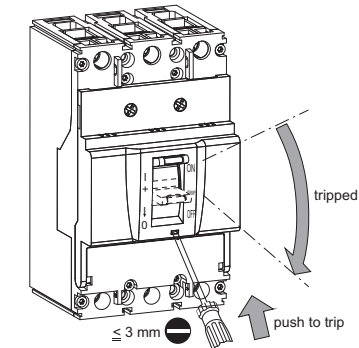


SAFE: Indication of operating status by 3-position-lever

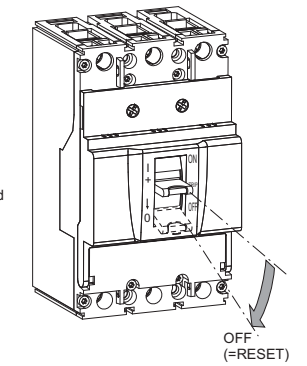
TEST 1



TEST 2

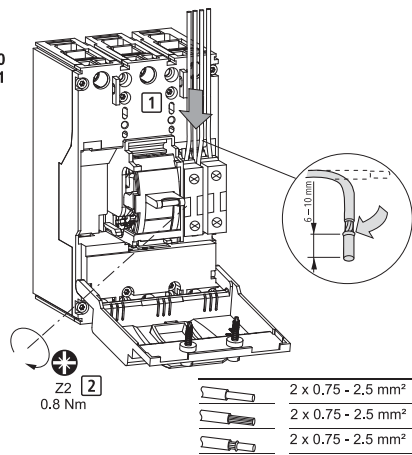


TEST 3



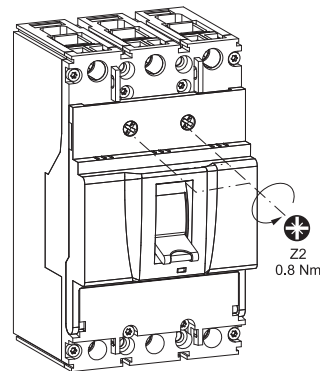
4

M22-K10
M22-K01



- 2 x 0.75 - 2.5 mm²
- 2 x 0.75 - 2.5 mm²
- 2 x 0.75 - 2.5 mm²

5



Dismantling
Demontage
Démontage
Smontaggio
Desmontaje
Разборка
拆卸

