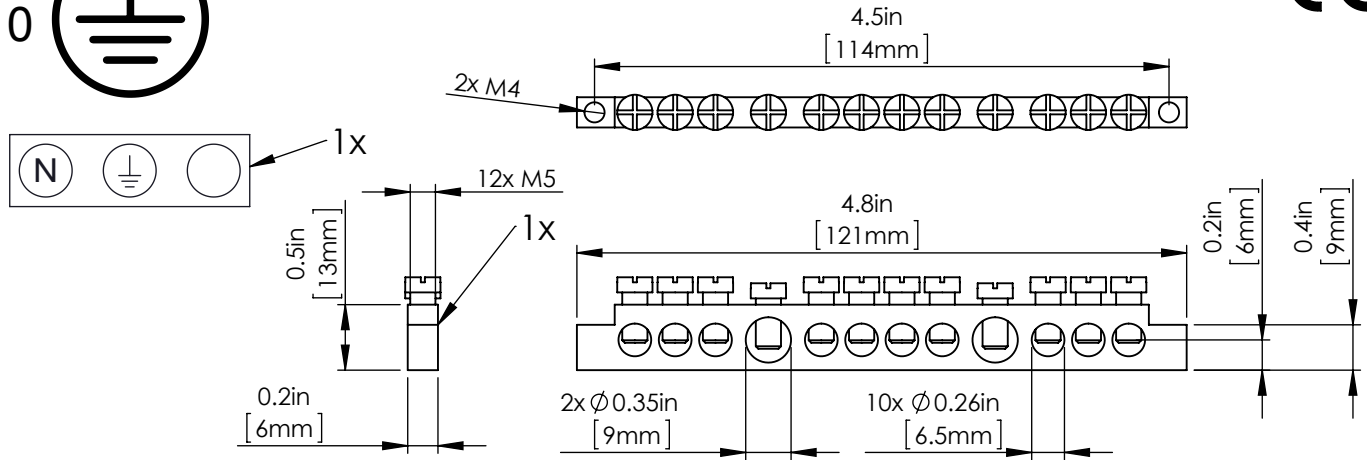







EB12
568610




Metric rigid stranded cable


Metric flexible stranded cable

IEC®					
#	Conductor	Size	Ø		Strip Length
2		16 - 35mm ²	0.35in [9.0mm]	17 in-lbs [2 N.m]	0.50in [12.7mm]
		10 - 35mm ²			
10		4 - 16mm ²	0.26in [6.5mm]	17 in-lbs [2 N.m]	
		2.5 - 16mm ²			


AWG solid cable


AWG stranded cable

UL®					
#	Conductor	Size	Ø		Strip Length
2		6 AWG	0.35in [9.0mm]	17 in-lbs [2 N.m]	0.50in [12.7mm]
		6 AWG			
10		8 - 6 AWG	0.26in [6.5mm]	17 in-lbs [2 N.m]	
		8 - 6 AWG			

SAFETY INSTRUCTIONS:

All governing codes and regulations and those required by the job site must be observed. Always use appropriate safety equipment such as eye protection, hard hat, and gloves as appropriate to the application.

UL is a registered trademark of UL LLC
IEC is a registered service mark of International Commission Electrotechnique

CADDY, CADWELD, CRITEC, ERICO, ERIFLEX, ERITECH, and LENTON are registered trademarks of ERICO International Corporation.